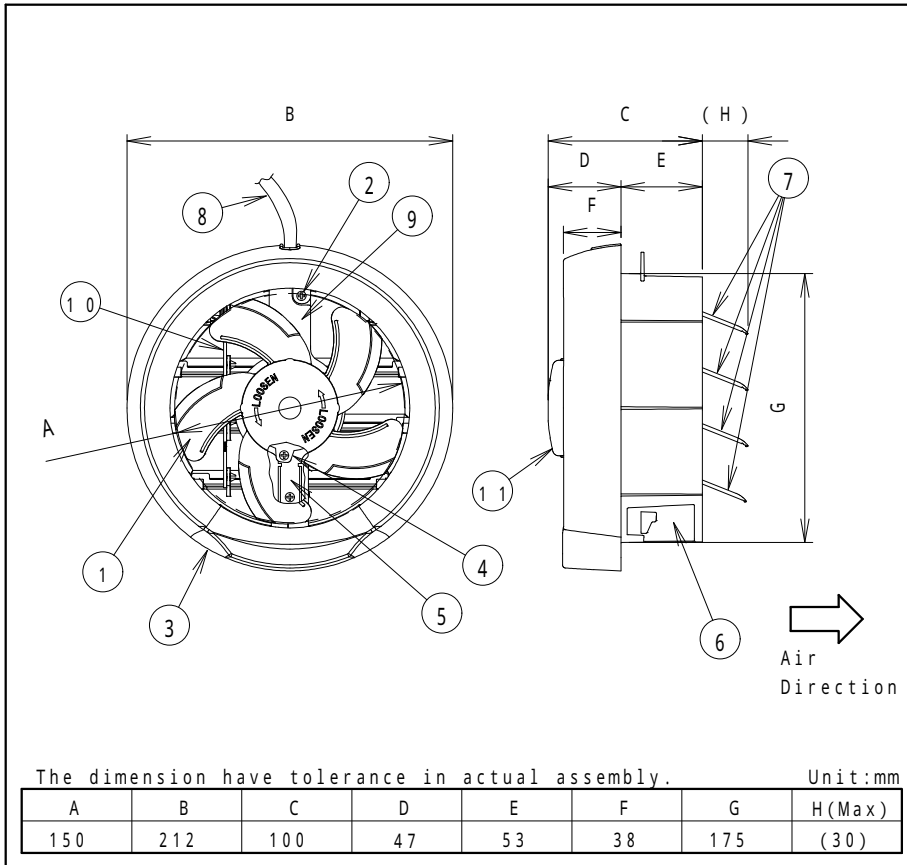


## Main Dimensions



## Main Part List

No.	Part Name	Material
1	Blade	Plastic
2	Screw	Iron Steel
3	Orifice	Plastic
4	Motor	—
5	Motor Plate	Iron Steel
6	Frame	Plastic
7	Shutter	Plastic
8	Power Cord	—
9	Lead Wire Cover	Plastic
10	Lever	Plastic
11	Spinner	Plastic

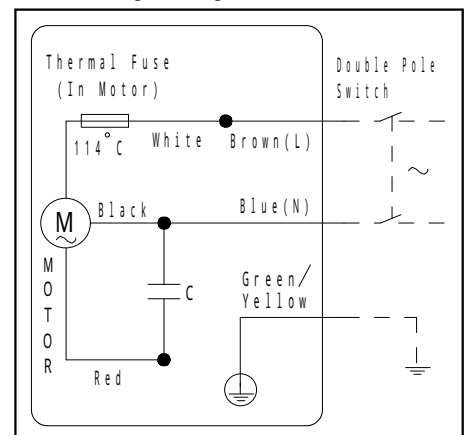
## Specification

Rated Voltage	220V~ 50Hz	220-240V~ 50Hz	220V~ 60Hz
Air Volume (m <sup>3</sup> /h±10%)	210	210-228	222
Power (W±12%)	14	14-16	18
Max Static Pressure (Pa)	35	35-41	35
Noise (dB(A) <sup>1</sup> )	43	43-44	44
Net Weight (kg)	0.9	0.9	0.9
Motor Type	Capacitor Motor (Class E)	Capacitor Motor (Class E)	Capacitor Motor (Class E)
Insulation Resistance	More than 10M	More than 10M	More than 10M
Electric Strength	Can withstand 1500V 1min	Can withstand 1500V 1min	Can withstand 1500V 1min
Ambient Temperature	-10°C~40°C	-10°C~40°C	-10°C~40°C
IP Code	IPX4(Outside)	IPX4(Outside)	IPX4(Outside)

## Notes:

- 1.The value of power consumption,air volume and noise are specified at the static pressure of 0 Pa.
- 2.The value of air volume is the mean value which is measured by our company.
- 3.The value of noise level is measured at 1m apart from the left,the right and the front of product,then get the average of three values.
- 4.The value of noise level is A weight average sound pressure level,the mean value is measured by our company.

## Wiring Diagram



Product			Model	
Window Mount Ventilating Fan			FV-15WA1	
Make Date	2014.02.25	Scale	Drawing No.	15WA1T-01
Modification Date		Free	Modification No.	
Panasonic Ecology Systems Thailand Co.,Ltd.				