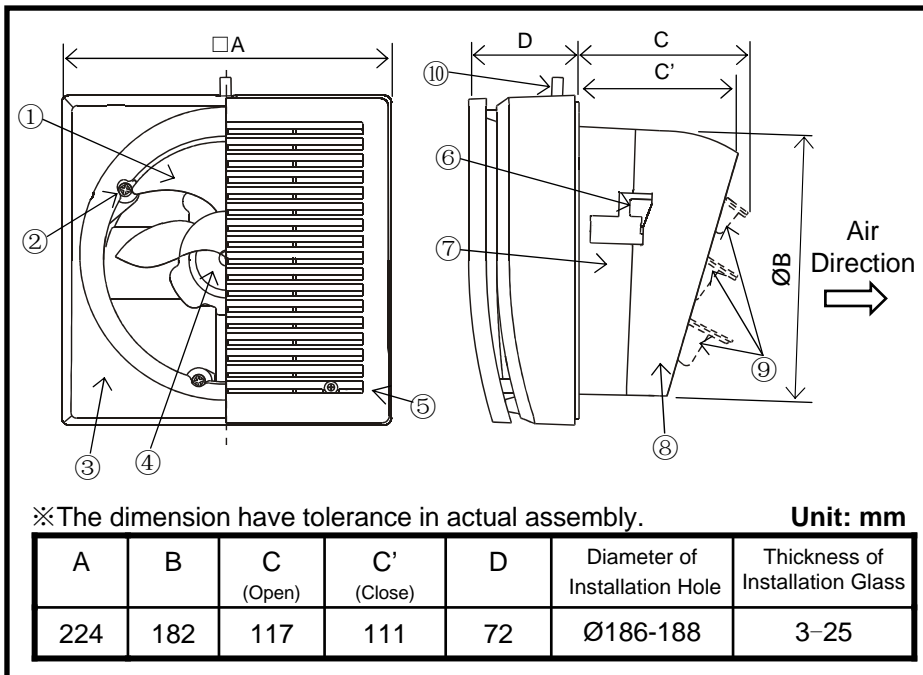


■ Main Dimensions



■ Main Part List

No.	Part Name	Material
①	Blade	Plastic
②	Installation Screw	Stainless Steel
③	Orifice	Plastic
④	Motor	—
⑤	Louver	Plastic
⑥	Installation Plate	Stainless Steel
⑦	Frame	Plastic
⑧	Hood	Plastic
⑨	Shutter	Plastic
⑩	Power Cord	—

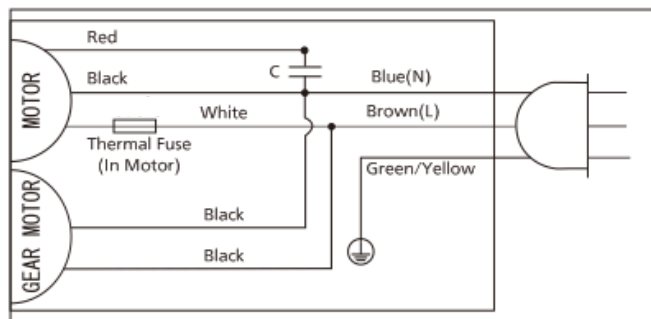
■ Specification

Rated Voltage	220V~ 50Hz
Air Volume (m ³ /h ±10%)	230
Power (W ±12%)	13
Max Static Pressure (Pa)	56
Noise (dB (A) ₋₇ ⁺³)	43
Net Weight (kg)	1.4
Motor Type	Capacitor Motor (Class E)
Insulation Resistance	More than 10M Ω
Electric Strength	Can withstand 1500V 1min
Ambient Temperature	-10° C ~ 40° C
IP Code	IPX4 (Outside)

Notes:

- 1.The value of power consumption, air volume and noise are specified at the static pressure of 0 Pa.
- 2.The value of air volume is the mean value which is measured by our company.
- 3.The value of noise level is measured at 1m apart from the left, the right and the front of product, then get the average of three values.
- 4.The value of noise level is A weight average sound pressure level, the mean value is measured by our company.

■ Wiring Diagram



Product			Model	
Window Mount Ventilating Fan			FV-15WH3 07	
Make Date	2012.02.29	Scale	Drawing No.	VF12005
Modification Date	-	Free	Modification No.	-
Panasonic Ecology Systems Guangdong Co., Ltd.				