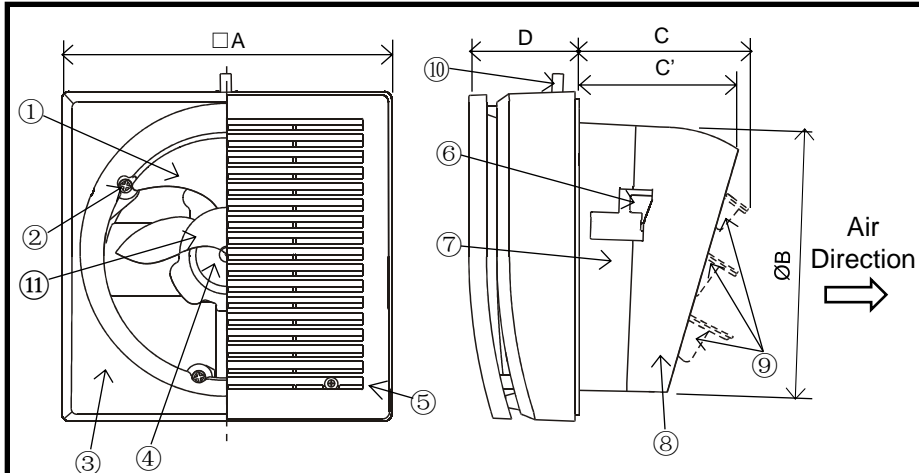


■ Main Dimensions



※The dimension have tolerance in actual assembly.

Unit: mm

A	B	C (Open)	C' (Close)	D	Diameter of Installation Hole	Thickness of Installation Glass
224	182	117	111	72	Ø186-188	3-25

■ Main Part List

No.	Part Name	Material
①	Blade	Plastic
②	Installation Screw	Stainless Steel
③	Orifice	Plastic
④	Motor	—
⑤	Louver	Plastic
⑥	Installation Plate	Stainless Steel
⑦	Frame	Plastic
⑧	Hood	Plastic
⑨	Shutter	Plastic
⑩	Power Cord	—
⑪	Spinner	Plastic

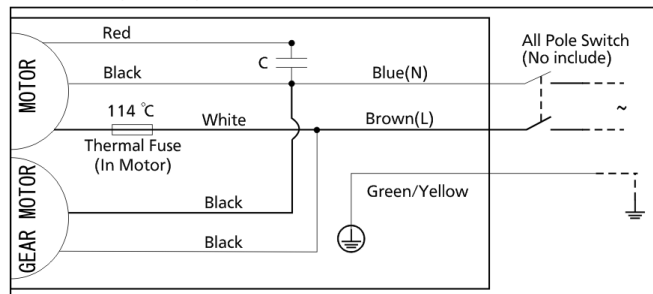
■ Specification

Rated Voltage	220V~ 50Hz	220-240V~ 50Hz	220V~ 60Hz
Air Volume (m ³ /h ±10%)	230	230	230
Power (W ±12%)	13	13-15	13
Max Static Pressure (Pa)	56	56-60	49
Noise (dB (A) ⁺³ ₋₇)	43	43	44
Net Weight (kg)	1.4	1.4	1.4
Motor Type	Capacitor Motor (Class E)	Capacitor Motor (Class E)	Capacitor Motor (Class E)
Insulation Resistance	More than 10MΩ	More than 10MΩ	More than 10MΩ
Electric Strength	Can withstand 1500V 1min	Can withstand 1500V 1min	Can withstand 1500V 1min
Ambient Temperature	-10°C ~ 40°C	-10°C ~ 40°C	-10°C ~ 40°C
IP Code	IPX4 (Outside)	IPX4 (Outside)	IPX4 (Outside)

Notes:

1. The value of power consumption, air volume and noise are specified at the static pressure of 0 Pa.
2. The value of air volume is the mean value which is measured by our company.
3. The value of noise level is measured at 1m apart from the left, the right and the front of product, then get the average of three values.
4. The value of noise level is A weight average sound pressure level, the mean value is measured by our company.

■ Wiring Diagram



Product	Model
Window Mount Ventilating Fan	FV-15WH3T
Panasonic Ecology Systems Thailand Co., Ltd.	