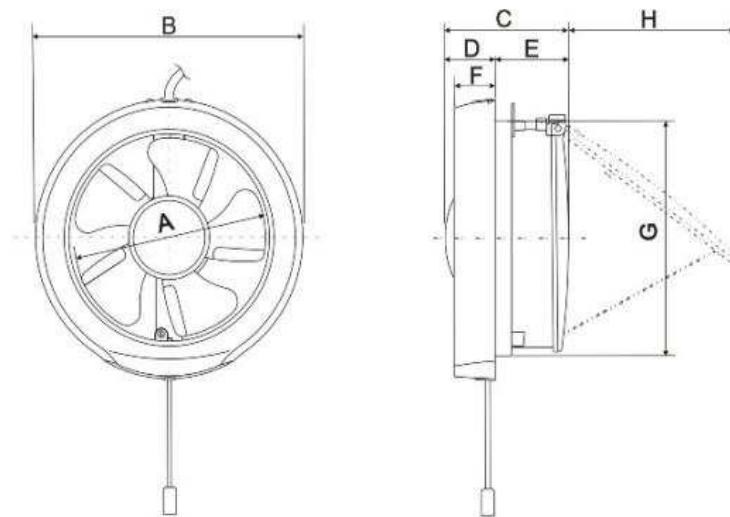


Winpet Specifications Model FV-15WU4

			Exhaust
Air Volume	m ³ /h	±10%	200
Power Consumption	W	±20%	8.9
Ampere	A	±20%	0.04
Rotation Speed	min ⁻¹		1393
Noise	dB (A)	+3dB,-7dB	34

1. Power Rating ----- 220V 60Hz
2. Motor Type ----- Capacitor start and run induction motor
3. Blade Type ----- 150mm dia. propeller fan
4. Ambient Temperature ----- -10 to 40 deg. C
5. Gross Weight ----- 1.1Kg
6. Insulation Class ----- Class E



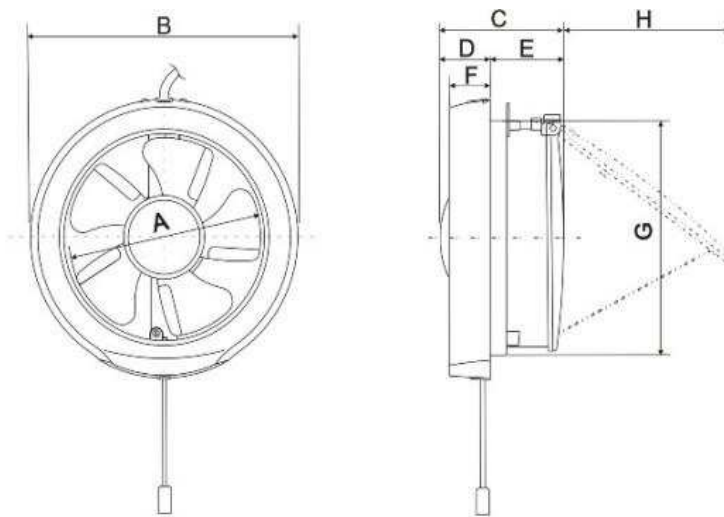
Unit: mm

Model	A	B	C	D	E	F	G	H
15WU4	φ 150	φ 210	97	43	54	37.4	177	149

Winpet Specifications Model FV-15WU4

			Exhaust
Air Volume	m ³ /h	±10%	210
Power Consumption	W	±20%	8.1
Ampere	A	±20%	0.037
Rotation Speed	min ⁻¹		1463
Noise	dB (A)	+3dB,-7dB	35

1. Power Rating ----- 220V 50Hz
2. Motor Type ----- Capacitor start and run induction motor
3. Blade Type ----- 150mm dia. propeller fan
4. Ambient Temperature ----- -10 to 40 deg. C
5. Gross Weight ----- 1.1Kg
6. Insulation Class ----- Class E



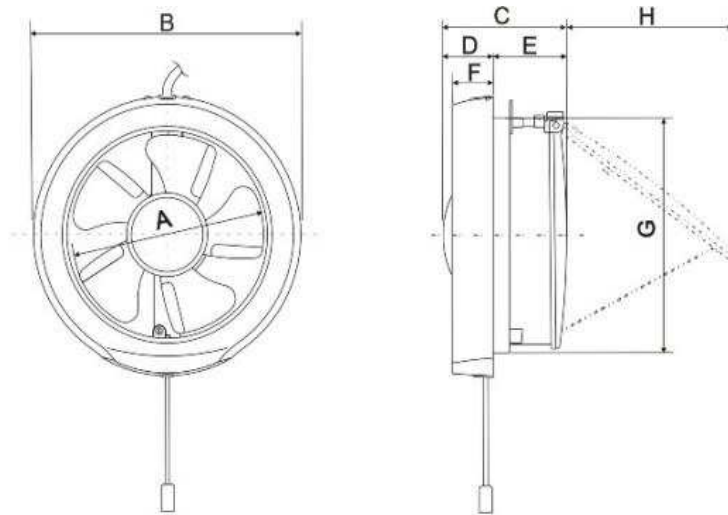
Unit: mm

Model	A	B	C	D	E	F	G	H
FV-15WU4	φ 150	φ 210	97	43	54	37.4	177	149

Winpet Specifications Model FV-15WU4

			Exhaust
Air Volume	m ³ /h	±10%	220
Power Consumption	W	±20%	8.8
Ampere	A	±20%	0.039
Rotation Speed	min ⁻¹		1566
Noise	dB (A)	+3dB,-7dB	36

1. Power Rating ----- 230V 50Hz
2. Motor Type ----- Capacitor start and run induction motor
3. Blade Type ----- 150mm dia. propeller fan
4. Ambient Temperature ----- -10 to 40 deg. C
5. Gross Weight ----- 1.1Kg
6. Insulation Class ----- Class E



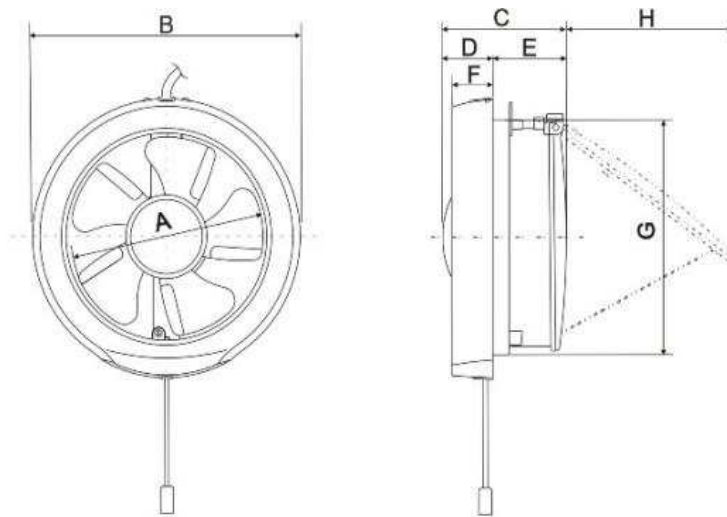
Unit: mm

Model	A	B	C	D	E	F	G	H
FV-15WU4	φ 150	φ 210	97	43	54	37.4	177	149

Winpet Specifications Model FV-15WU4

			Exhaust
Air Volume	m ³ /h	±10%	230
Power Consumption	W	±20%	9.5
Ampere	A	±20%	0.04
Rotation Speed	min ⁻¹		1657
Noise	dB (A)	+3dB,-7dB	37

1. Power Rating ----- 240V 50Hz
2. Motor Type ----- Capacitor start and run induction motor
3. Blade Type ----- 150mm dia. propeller fan
4. Ambient Temperature ----- -10 to 40 deg. C
5. Gross Weight ----- 1.1Kg
6. Insulation Class ----- Class E



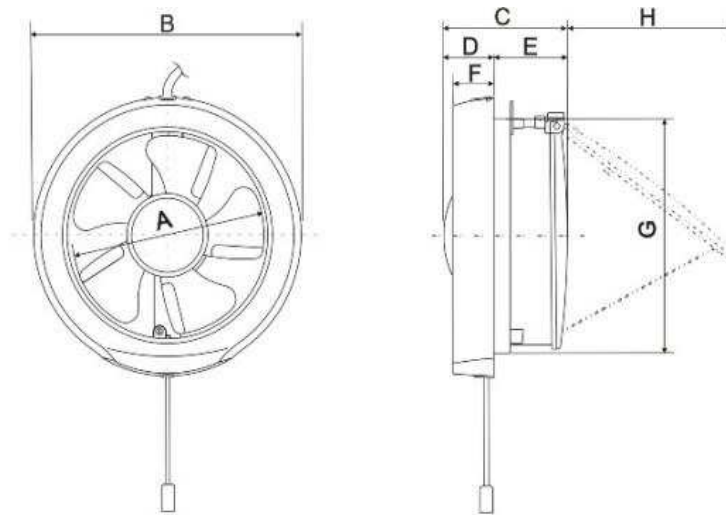
Unit: mm

Model	A	B	C	D	E	F	G	H
FV-15WU4	φ 150	φ 210	97	43	54	37.4	177	149

Winpet Specifications Model FV-15WU4

Air Volume	m ³ /h	±10%	Exhaust 210-230
Power Consumption	W	±20%	8.1-9.5
Ampere	A	±20%	0.037-0.04
Rotation Speed	min ⁻¹		1463-1657
Noise	dB (A)	+3dB,-7dB	35-37

1. Power Rating ----- 220-240V 50Hz
2. Motor Type ----- Capacitor start and run induction motor
3. Blade Type ----- 150mm dia. propeller fan
4. Ambient Temperature ----- -10 to 40 deg. C
5. Gross Weight ----- 1.1Kg
6. Insulation Class ----- Class E



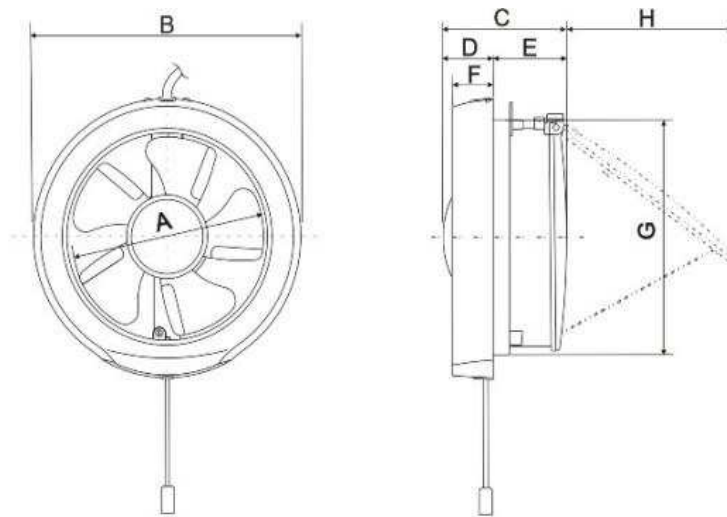
Unit: mm

Model	A	B	C	D	E	F	G	H
FV-15WU4	φ 150	φ 210	97	43	54	37.4	177	149

Winpet Specifications Model FV-15WU412

			Exhaust
Air Volume	m ³ /h	±10%	200
Power Consumption	W	±20%	9
Ampere	A	±20%	0.07
Rotation Speed	min ⁻¹		1442
Noise	dB (A)	+3dB,-7dB	33

1. Power Rating ----- 127V 60Hz
2. Motor Type ----- Capacitor start and run induction motor
3. Blade Type ----- 150mm dia. propeller fan
4. Ambient Temperature ----- -10 to 40 deg. C
5. Gross Weight ----- 1.1Kg
6. Insulation Class ----- Class E



Unit: mm

Model	A	B	C	D	E	F	G	H
FV-15WU412	φ 150	φ 210	97	43	54	37.4	177	149