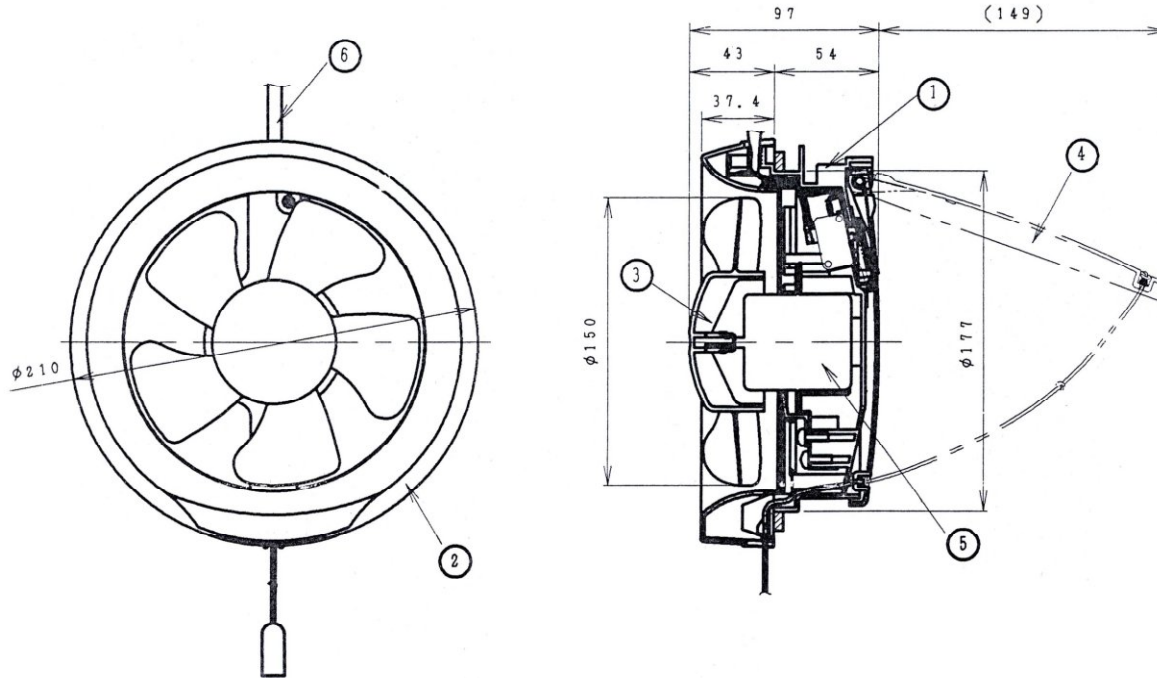


■ DIMENSIONS

unit:mm



■ MAIN PARTS LIST

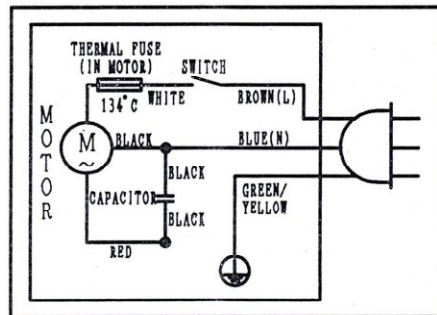
No.	Part Name	Material
1	Frame	Polypropylene
2	Orifice	Polypropylene
3	Blade	Polypropylene
4	Shutter	Acrylonitrile Styrene
5	Motor	-
6	Power Cord	3X0.75mm²

■ SPECIFICATIONS

Power Rating	220V~ 50Hz
Air Volume	m³/h ±10% 210
Power Consumption	W +20% 7.7
Noise	dB 34
Net Weight	kg 0.9
Motor Type	Capacitor start and run induction motor
Blade Type	Propeller fan
Ambient Temperature	-10℃ to 40℃

This product is complied with IEC 60335-1 & IEC 60335-2-80.

■ WIRING DIAGRAM



Notes:

1. The values of power consumption, air volume, noise and current are specified at the static pressure of 0 Pa.
2. The lowest surface of this ventilating fan should be mounted above 2.3m from the floor.
3. The dimension will have tolerance in actually assembly.

Product		Model	
Window Mount Ventilating Fan		FV-15WU5 07	
Make Date	2008.6.2	Drawing NO.	VP080601
Modification	—	Modification NO.	0

Panasonic Ecology Systems Guangdong Co., Ltd.