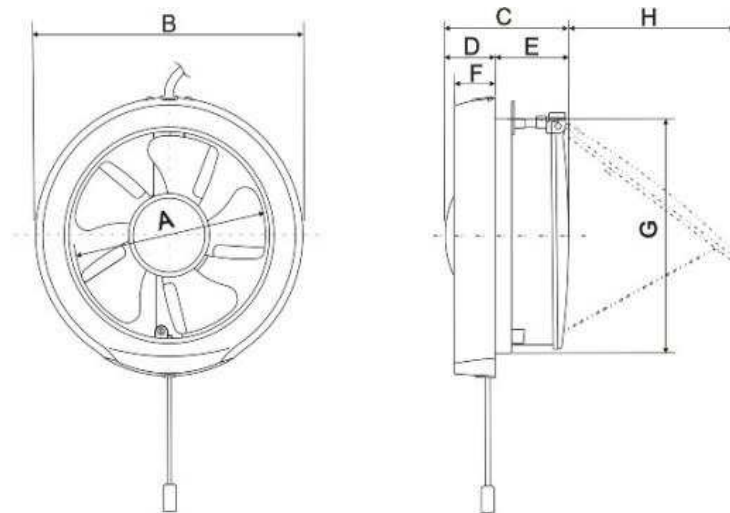


## Winpet Specifications Model FV-20WU4

|                   |                   |           |              |
|-------------------|-------------------|-----------|--------------|
|                   |                   |           | 220V<br>60Hz |
|                   |                   |           | Exhaust      |
| Air Volume        | m <sup>3</sup> /h | ±10%      | 360          |
| Power Consumption | W                 | ±12%      | 19           |
| Ampere            | A                 | ±12%      | 0.085        |
| Rotation Speed    | min <sup>-1</sup> |           | 1024         |
| Noise             | dB (A)            | +3dB,-7dB | 31           |

1. Power Rating ----- 220V 60Hz
2. Motor Type ----- Capacitor start and run induction motor
3. Blade Type ----- 200mm dia. propeller fan
4. Ambient Temperature ----- -10 to 40 deg. C
5. Insulation Resistance ----- More than 1 meg ohm
6. Electrical Strength ----- AC 1500V 1 minute
7. Gross Weight ----- 1.3Kg
8. Insulation Class ----- Class E



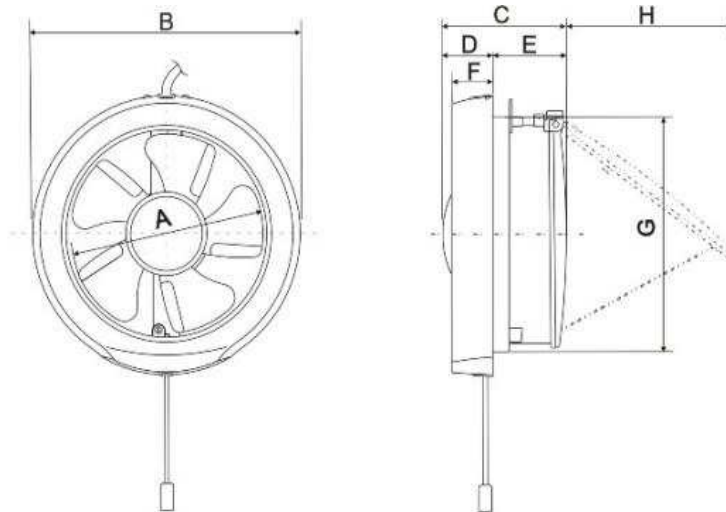
Unit: mm

| Model | A     | B     | C  | D  | E  | F  | G   | H   |
|-------|-------|-------|----|----|----|----|-----|-----|
| 20WU4 | φ 200 | φ 271 | 98 | 36 | 62 | 36 | 237 | 201 |

## Winpet Specifications Model FV-20WU4

|                   |                   |           | 220V<br>50Hz |
|-------------------|-------------------|-----------|--------------|
|                   |                   |           | Exhaust      |
| Air Volume        | m <sup>3</sup> /h | ±10%      | 360          |
| Power Consumption | W                 | ±12%      | 16.4         |
| Ampere            | A                 | ±12%      | 0.073        |
| Rotation Speed    | min <sup>-1</sup> |           | 1042         |
| Noise             | dB (A)            | +3dB,-7dB | 32           |

1. Power Rating ----- 220V 50Hz
2. Motor Type ----- Capacitor start and run induction motor
3. Blade Type ----- 200mm dia. propeller fan
4. Ambient Temperature ----- -10 to 40 deg. C
5. Insulation Resistance ----- More than 1 meg ohm
6. Electrical Strength ----- AC 1500V 1 minute
7. Gross Weight ----- 1.3Kg
8. Insulation Class ----- Class E



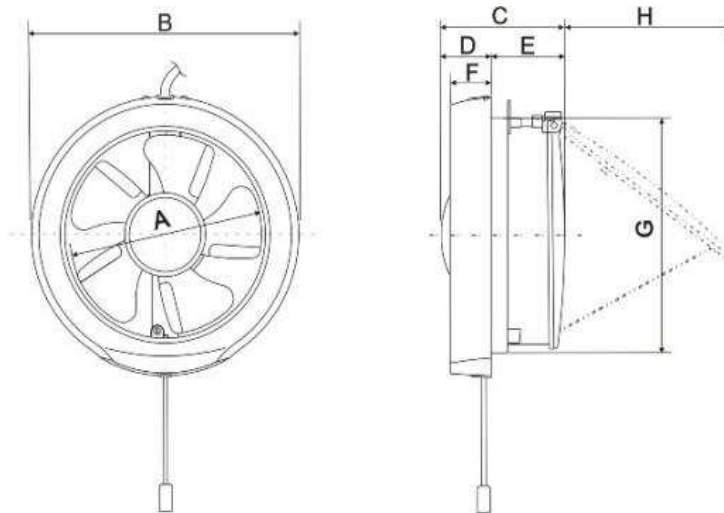
Unit: mm

| Model    | A     | B     | C  | D  | E  | F  | G   | H   |
|----------|-------|-------|----|----|----|----|-----|-----|
| FV-20WU4 | φ 200 | φ 271 | 98 | 36 | 62 | 36 | 237 | 201 |

## Winpet Specifications Model FV-20WU4

|                   |                   |           |         |
|-------------------|-------------------|-----------|---------|
|                   |                   |           | 230V    |
|                   |                   |           | 50Hz    |
|                   |                   |           | Exhaust |
| Air Volume        | m <sup>3</sup> /h | ±10%      | 380     |
| Power Consumption | W                 | ±12%      | 17.9    |
| Ampere            | A                 | ±12%      | 0.076   |
| Rotation Speed    | min <sup>-1</sup> |           | 1122    |
| Noise             | dB (A)            | +3dB,-7dB | 34      |

1. Power Rating ----- 230V 50Hz
2. Motor Type ----- Capacitor start and run induction motor
3. Blade Type ----- 200mm dia. propeller fan
4. Ambient Temperature ----- -10 to 40 deg. C
5. Insulation Resistance ----- More than 1 meg ohm
6. Electrical Strength ----- AC 1500V 1 minute
7. Gross Weight ----- 1.3Kg
8. Insulation Class ----- Class E



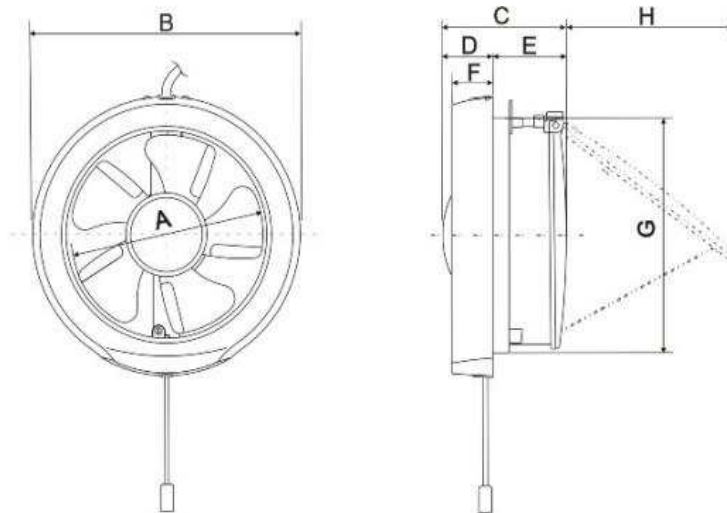
Unit: mm

| Model    | A     | B     | C  | D  | E  | F  | G   | H   |
|----------|-------|-------|----|----|----|----|-----|-----|
| FV-20WU4 | φ 200 | φ 271 | 98 | 36 | 62 | 36 | 237 | 201 |

## Winpet Specifications Model FV-20WU4

|                   |                   |           | 240V<br>50Hz |
|-------------------|-------------------|-----------|--------------|
|                   |                   |           | Exhaust      |
| Air Volume        | m <sup>3</sup> /h | ±10%      | 400          |
| Power Consumption | W                 | ±12%      | 19.5         |
| Ampere            | A                 | ±12%      | 0.079        |
| Rotation Speed    | min <sup>-1</sup> |           | 1189         |
| Noise             | dB (A)            | +3dB,-7dB | 36           |

1. Power Rating ----- 240V 50Hz
2. Motor Type ----- Capacitor start and run induction motor
3. Blade Type ----- 200mm dia. propeller fan
4. Ambient Temperature ----- -10 to 40 deg. C
5. Insulation Resistance ----- More than 1 meg ohm
6. Electrical Strength ----- AC 1500V 1 minute
7. Gross Weight ----- 1.3Kg
8. Insulation Class ----- Class E



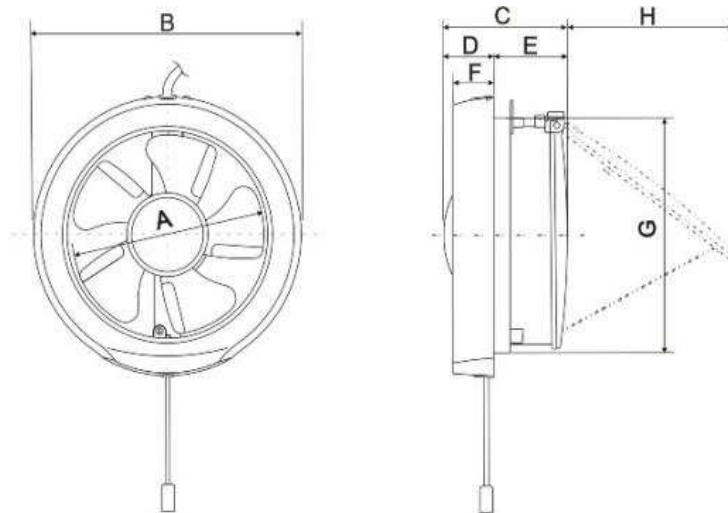
Unit: mm

| Model    | A     | B     | C  | D  | E  | F  | G   | H   |
|----------|-------|-------|----|----|----|----|-----|-----|
| FV-20WU4 | φ 200 | φ 271 | 98 | 36 | 62 | 36 | 237 | 201 |

## Winpet Specifications Model FV-20WU4

|                   |                   |           | 220-240V<br>50Hz |
|-------------------|-------------------|-----------|------------------|
|                   |                   |           | Exhaust          |
| Air Volume        | m <sup>3</sup> /h | ±10%      | 360-400          |
| Power Consumption | W                 | ±12%      | 16.4-19.5        |
| Ampere            | A                 | ±12%      | 0.073-0.079      |
| Rotation Speed    | min <sup>-1</sup> |           | 1042-1189        |
| Noise             | dB (A)            | +3dB,-7dB | 32-36            |

1. Power Rating ----- 220-240V 50Hz
2. Motor Type ----- Capacitor start and run induction motor
3. Blade Type ----- 200mm dia. propeller fan
4. Ambient Temperature ----- -10 to 40 deg. C
5. Insulation Resistance ----- More than 1 meg ohm
6. Electrical Strength ----- AC 1500V 1 minute
7. Gross Weight ----- 1.3Kg
8. Insulation Class ----- Class E



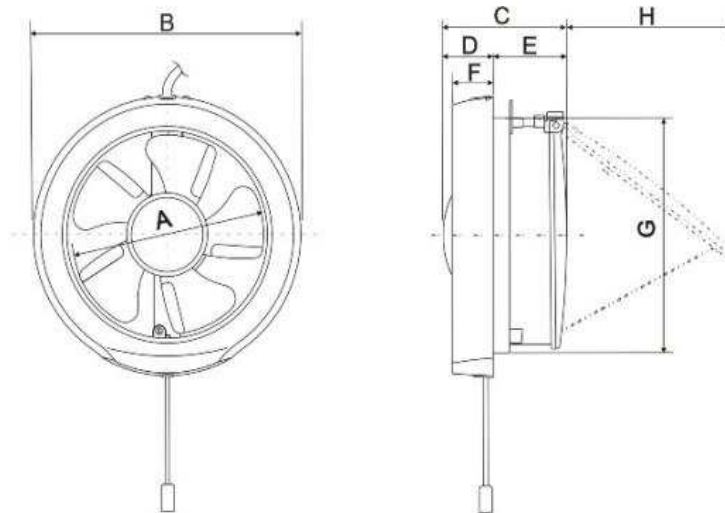
Unit: mm

| Model    | A     | B     | C  | D  | E  | F  | G   | H   |
|----------|-------|-------|----|----|----|----|-----|-----|
| FV-20WU4 | φ 200 | φ 271 | 98 | 36 | 62 | 36 | 237 | 201 |

## Winpet Specifications Model FV-20WU412

|                   |                   |           |              |
|-------------------|-------------------|-----------|--------------|
|                   |                   |           | 127V<br>60Hz |
|                   |                   |           | Exhaust      |
| Air Volume        | m <sup>3</sup> /h | ±10%      | 380          |
| Power Consumption | W                 | ±12%      | 21.9         |
| Ampere            | A                 | ±12%      | 0.17         |
| Rotation Speed    | min <sup>-1</sup> |           | 1079         |
| Noise             | dB (A)            | +3dB,-7dB | 33           |

1. Power Rating ----- 127V 60Hz
2. Motor Type ----- Capacitor start and run induction motor
3. Blade Type ----- 200mm dia. propeller fan
4. Ambient Temperature ----- -10 to 40 deg. C
5. Insulation Resistance ----- More than 1 meg ohm
6. Electrical Strength ----- AC 1500V 1 minute
7. Gross Weight ----- 1.3Kg
8. Insulation Class ----- Class E



Unit: mm

| Model      | A     | B     | C  | D  | E  | F  | G   | H   |
|------------|-------|-------|----|----|----|----|-----|-----|
| FV-20WU412 | φ 200 | φ 271 | 98 | 36 | 62 | 36 | 237 | 201 |