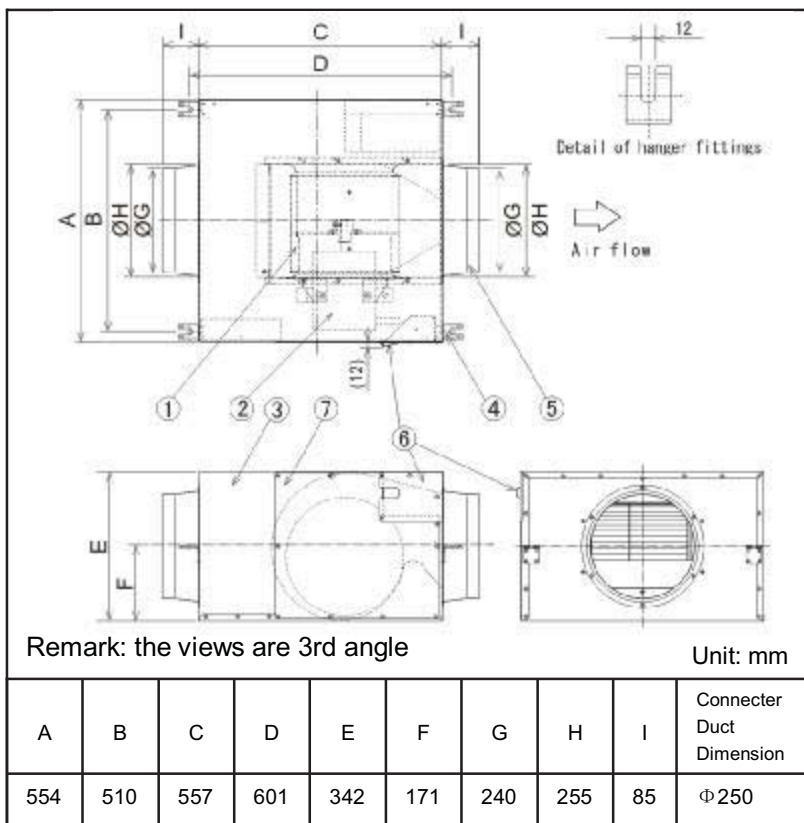


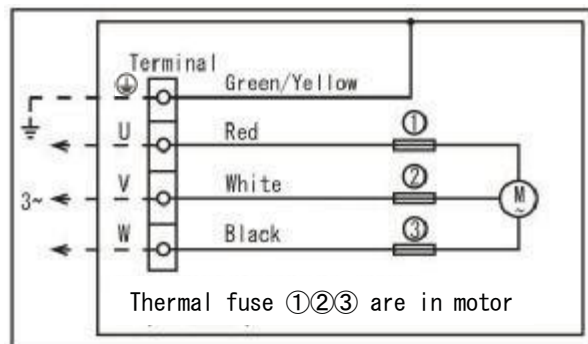
Dimension



Parts List

| No. | Part name | Q'ty | Material |
|-----|------------------|------|----------|
| 1 | Impeller | 1 | Metal |
| 2 | Motor | 1 | — |
| 3 | Frame | 1 | Metal |
| 4 | Hanger fitting | 4 | Metal |
| 5 | Adapter | 2 | Metal |
| 6 | Terminal cover | 1 | Metal |
| 7 | Inspection panel | 1 | Metal |

Wiring Diagram



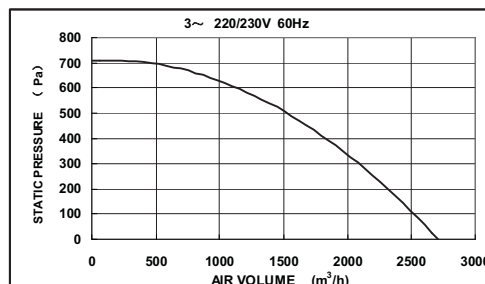
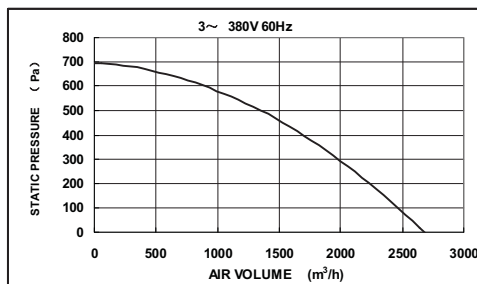
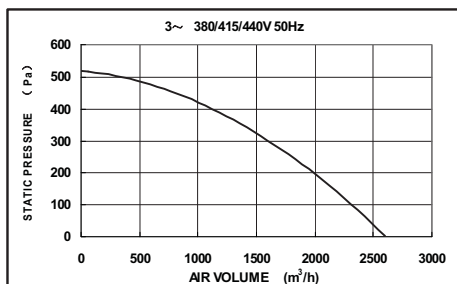
Specification

| Power Rating V/Hz | 3~ 380/50 | 3~ 415/50 | 3~ 440/50 | 3~ 380/60 | 3~ 220/60 | 3~ 230/60 |
|------------------------------------|-----------|-----------|-----------|-----------|-----------|-----------|
| Air Volume m ³ /h(±10%) | 2600 | | | 2650 | 2700 | |
| Static pressure Pa (≥90%) | 520 | | | 700 | 710 | |
| Noise Level dB(A) +3dB,-7dB | 44 | | | 45 | 47 | 48 |
| Consumption W(±15%) | 600 | 650 | | 840 | 960 | |
| Current A(±15%) | 1.2 | | | 1.6 | 3.0 | |
| Net Weight kg | | | | 28 | | |

Notes:

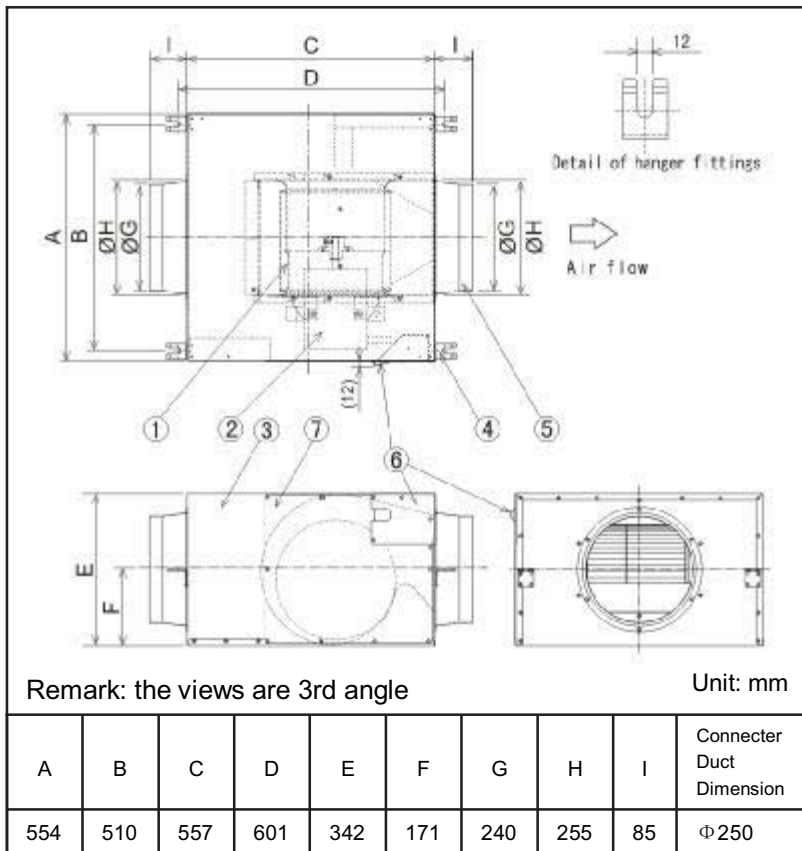
- ① The values of rated input, air volume and noise are specified at the static pressure of 0 Pa.
- ② The values of noise level is A weighted average sound pressure level, the mean value are measured by our company.
- ③ The values of noise level are measured at the 1.5m apart from the side of the fan body when ducts are connected on both inlet and outlet side. It's on the assumption that the noise of fan body propagates to the room inside.

P-Q Curve



| Product | | Model | |
|---|------------|----------|----------------------|
| CAB/F | | FV-28NX3 | |
| Make Date | 2011.05.10 | Scale | Drawing No. CAB11002 |
| Modification Date | | Free | Modification No. |
| Panasonic Ecology Systems Guangdong Co., Ltd. | | | |

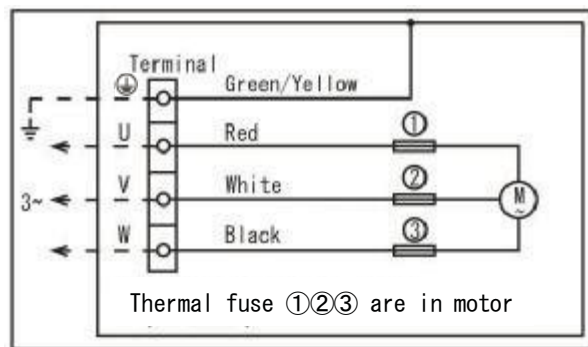
Dimension



Parts List

| No. | Part name | Q'ty | Material |
|-----|------------------|------|----------|
| 1 | Impeller | 1 | Metal |
| 2 | Motor | 1 | — |
| 3 | Frame | 1 | Metal |
| 4 | Hanger fitting | 4 | Metal |
| 5 | Adapter | 2 | Metal |
| 6 | Terminal cover | 1 | Metal |
| 7 | Inspection panel | 1 | Metal |

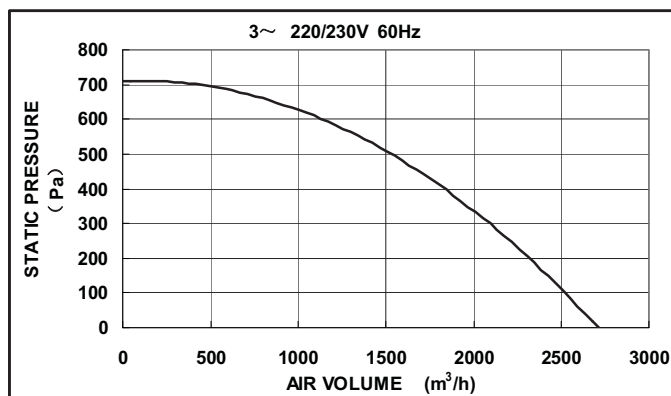
Wiring Diagram



Specification

| | | | |
|-----------------|-------------------------|-----------|-----------|
| Power Rating | V/Hz | 3~ 220/60 | 3~ 230/60 |
| Air Volume | m ³ /h(±10%) | 2700 | |
| Static pressure | Pa (≥90%) | 710 | |
| Noise Level | dB(A) +3dB,-7dB | 47 | 48 |
| Consumption | W(±15%) | 960 | |
| Current | A (±15%) | 3.0 | |
| Net Weight | kg | 28 | |

P-Q Curve



Notes:

- ①The values of rated input, air volume and noise are specified at the static pressure of 0 Pa.
- ②The values of noise level is A weighted average sound pressure level, the mean value are measured by our company.
- ③The values of noise level are measured at the 1.5m apart from the side of the fan body when ducts are connected on both inlet and outlet side. It's on the assumption that the noise of fan body propagates to the room inside.

| Product | | Model | |
|---|------------|-------------|----------------------|
| CAB/F | | FV-28NX3 22 | |
| Make Date | 2011.05.10 | Scale | Drawing No. CAB11003 |
| Modification Date | | Free | Modification No. |
| Panasonic Ecology Systems Guangdong Co., Ltd. | | | |