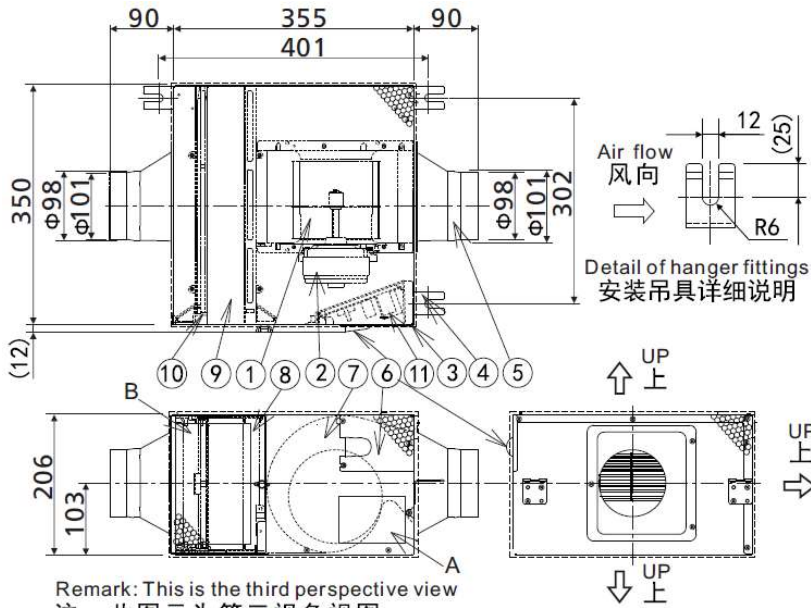


External Dimensions

Mounting dimensions



Labeling Position

Mark	Item
A	Name plate 铭牌
B	Filter plate label 过滤网指示标贴

Component Parts List

Parts list

Mark	Part Name	Material	Quantity
1	Blade 扇叶	SGCC 镀锌钢板	1
2	Motor 马达	-	1
3	Frame 送风机壳体	SGCC 镀锌钢板	1
4	Hanger fitting 安装吊具	SGCC 镀锌钢板	3
5	Adapter 接头	SGCC 镀锌钢板	2
6	Wiring box cover 接线盒盖	SGCC 镀锌钢板	1
7	Inspection panel 检查板	SGCC 镀锌钢板	1
8	Filter inspection panel 过滤网检查板	SGCC 镀锌钢板	1
9	Sub-efficient filter 亚高效过滤网	-	1
10	Pre filter 初效过滤网	-	1
11	PCB 电路板	-	1

Accessory List

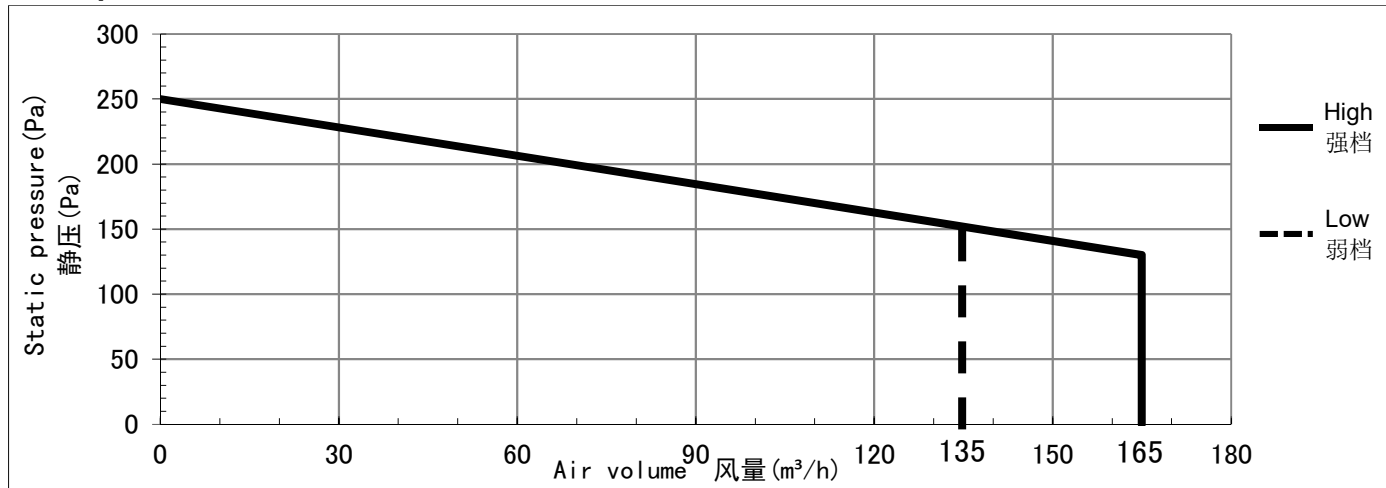
Item	Quantity
Instruction 说明书	1

Product		Page		1/3	
CAB/F		Model		FV-01NJP1	
Make Date	20160614	Scale	Drawing No.	CAB16001	
Modification Date			Modification No.		
Panasonic Ecology Systems Guangdong Co., Ltd.					

Authentication Information

➤ SIRIM

Specification Data



Model No. 型号	FV-01NJP1	
Rated voltage/Frequency 额定电压/频率	Single phase 单相 240V~50Hz	
	High 强档	Low 弱档
Air volume 风量 m³/h (m³/min) ±10%	165 (2.75)	135 (2.25)
Static pressure 静压 Pa >-10%	250	250
Noise 噪音 dB(A) ⁺³ ₋₇	28	26
Power consumption 功率 W ±20%	14.5	11.5
Current 电流 A ±20%	0.13	0.11
Net weight 净重 kg	7.8	
Motor type 马达类型	DC brushless motor, insulation class E 直流无刷马达, 绝缘等级E级	
Insulation Resistant 绝缘电阻	Over 10MΩ 大于10MΩ	
Electric strength 电气强度	Withstand AC 1500V for 1minute 1分钟内能承受1500V的交流电	
IPX level IPX等级	IPX2	
Environment temperature 环境温度	10°C~40°C	
Initial efficiency of Sub-efficient filter 亚高效过滤网初期过滤效率	≥95% ※	

- ※1. The efficiency of Sub-efficient filter recorded above is tested by China National Center of Quality Supervision and Inspection and Testing for Air Conditioning Equipment.
本亚高效过滤网效率由中国国家空调设备质量监督检验中心检验。
2. The efficiency recorded above is the initial efficiency of Sub-efficient filter single part.
本过滤效率仅指亚高效过滤网单体的初期过滤效率。

Remark:

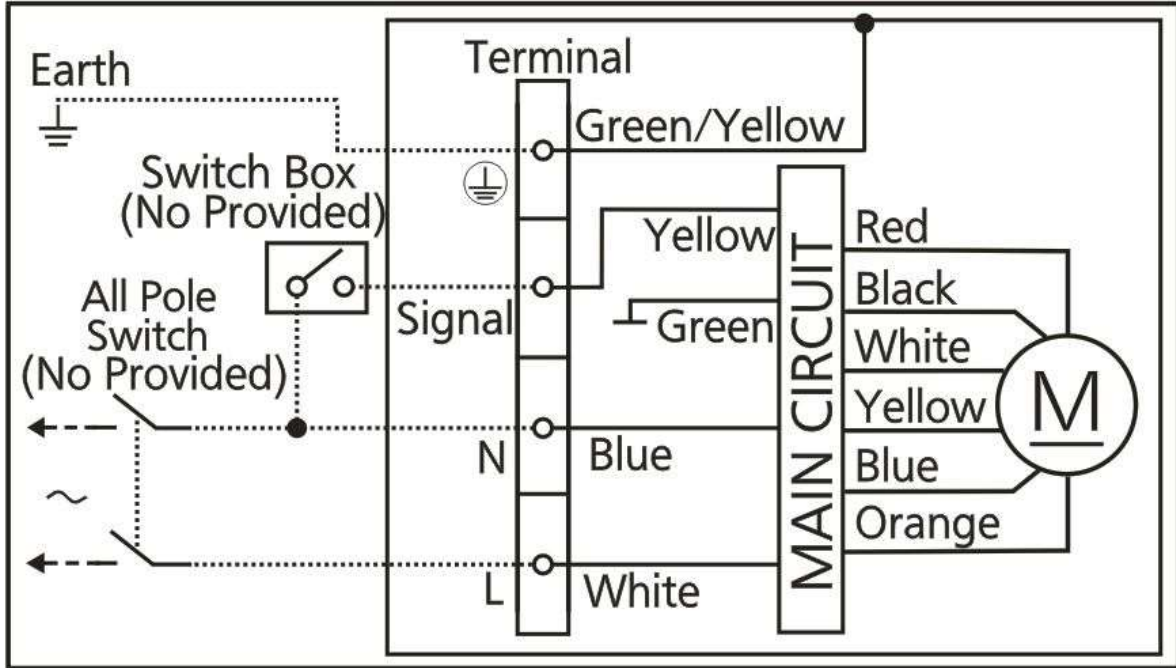
备注:

- The air volume, electric characteristic and noise are specified at the static pressure of 0 Pa.
风量、电气特性、噪音值等数据是在静压为0Pa状态下的数值。
- The values of noise level is A weighted average sound pressure level, the mean value are measured by our company, within +3 and -7 to tolerance.
噪音值是A计权平均声压级, 是本公司测试结果的中心值, 有+3, -7的公差范围。
- The values of noise level are measured at the 1.5m apart from the side of the fan body when ducts are connected on both inlet and outlet side. The test method is that the test point insulates from inlet and outlet, measures the noise of fan body straightly.
噪音值是在机体侧面1.5m处测得的值(在机体进风口, 出风口两侧分别连接导风管)。此测试方法是测试点与进出风口隔离, 直接测得机体的噪音。
- The values of air volume are the mid-points of results measures by our company, within ±10% tolerance.
风量是本公司测试结果的中心值, 有±10%的公差范围。
- The guarantee of DC motor is 5 years.
DC马达保修5年。

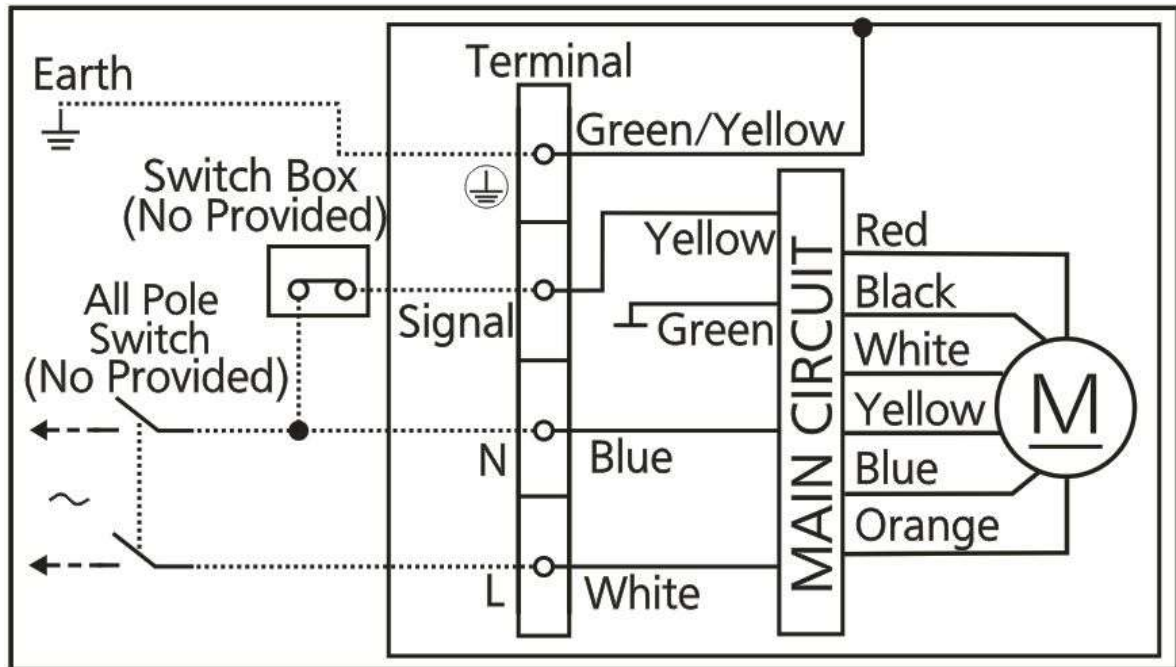
Product		Page	2/3
CAB/F		Model	
		FV-01NJP1	
Make Date	20160614	Scale	Drawing No. CAB16001
Modification Date			Modification No.
Panasonic Ecology Systems Guangdong Co., Ltd.			

■ Wiring diagram

High 强档



Low 弱档



Product		Page	3/3
CAB/F		Model	
FV-01NJP1		Model	
Make Date	20160614	Scale	Drawing No. CAB16001
Modification Date			Modification No.
Panasonic Ecology Systems Guangdong Co., Ltd.			