

Ventilating Fan Specifications

Model: FV-10EGS1

■ Specifications

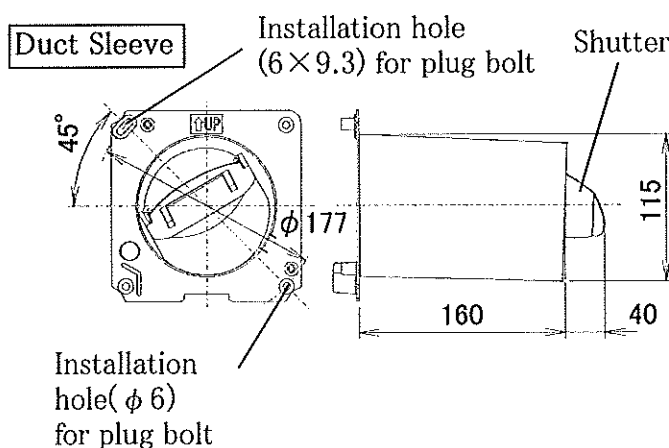
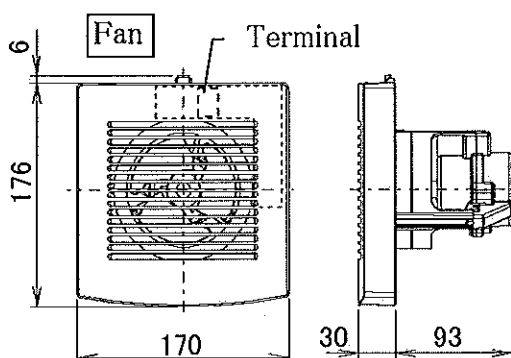
			220V 50Hz	230V 50Hz	240V 50Hz	220V 60Hz	230V 60Hz
			Exhaust	Exhaust	Exhaust	Exhaust	Exhaust
Air Volume	m ³ /h	±10%	75	75	75	80	82
Power Consumption	W	±20%	5.5	5.9	6.4	4.4	4.5
Ampere	A	±20%	0.028	0.029	0.030	0.023	0.023
Noise	dB (A)	+3/-7	35.0	35.0	35.0	36.0	36.0
*Rotation Speed	min ⁻¹		2706	2720	2732	2888	2971

• This specifications are specified with duct sleeve, duct spinner and pipe hood.

*Rotation Speed data are reference only.

1. Power Rating ----- 220-240V~ 50Hz / 220-230V~ 60Hz
2. Motor Type ----- Capacitor start and run induction motor
3. Blade Type ----- 80mm dia. propeller fan
4. Ambient Temperature ----- -10 to 40 deg.C
5. Insulation Resistance ----- More than 10meg ohm
6. Electrical Strength ----- 1500V~ 1 minute
7. Net Weight ----- 0.9 Kg
8. Insulation Class ----- Class E
9. Type of insulation ----- Functional insulation
(Required from SASO 112)

■ Drawing with dimensions (Unit:mm)

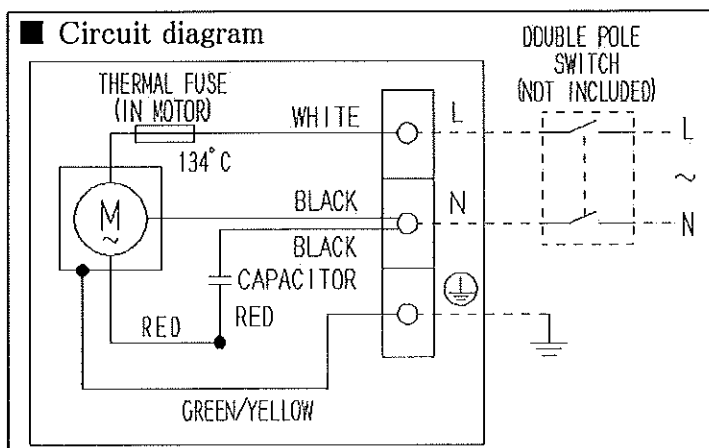


■ Supplied Accessories

- Plug bolt : 2 pcs
- Screw : 2 pcs (for plug bolt)
- Screw : 2 pcs (for Fan)
- Operating Instruction : 1 pcs
- Installation Instruction : 1 pcs

- Hole size: ϕ 120~125mm

■ Circuit diagram



Ventilating Fan Specifications

Model: FV-10EGS112

■ Specifications

			110V 60Hz	120V 60Hz	127V 60Hz
			Exhaust	Exhaust	Exhaust
Air Volume	m ³ /h	±10%	75	80	85
Power Consumption	W	±20%	4.4	5.2	5.5
Ampere	A	±20%	0.043	0.047	0.049
Noise	dB (A)	+3/-7	35.0	36.0	36.0
*Rotation Speed	min ⁻¹		2870	2970	3030

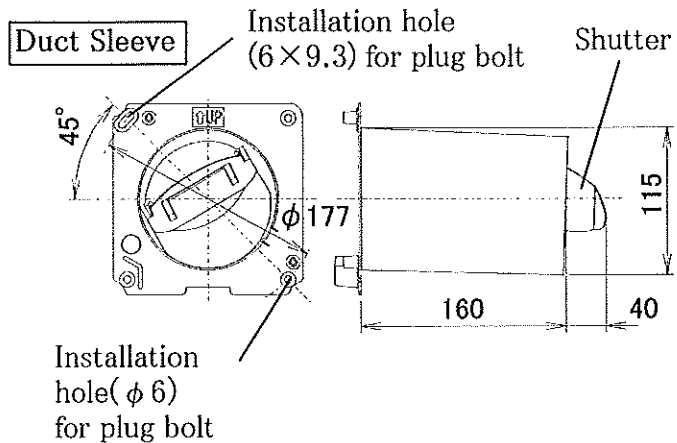
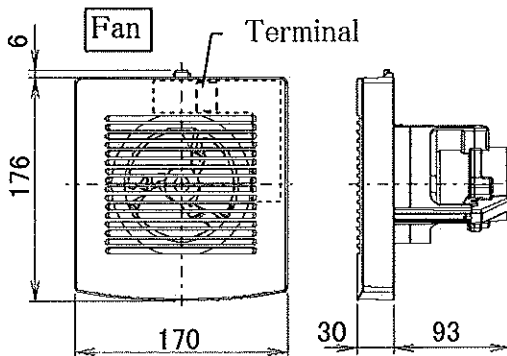
• This specifications are specified with duct sleeve, duct spinner and pipe hood.

*Rotation Speed data are reference only.

1. Power Rating ----- 110-127V~ 60Hz
2. Motor Type ----- Capacitor start and run induction motor
3. Blade Type ----- 80mm dia. propeller fan
4. Ambient Temperature ----- -10 to 40 deg.C
5. Insulation Resistance ----- More than 10meg ohm
6. Electrical Strength ----- 1500V~ 1 minute
7. Net Weight ----- 0.9 Kg
8. Insulation Class ----- Class E
9. Type of insulation ----- Functional insulation

(Required from SASO 112)

■ Drawing with dimensions (Unit: mm)



■ Supplied Accessories

- Plug bolt : 2 pcs
- Screw : 2 pcs (for plug bolt)
- Screw : 2 pcs (for Fan)
- Operating Instruction : 1 pcs
- Installation Instruction : 1 pcs

- Hole size: ϕ 120~125mm

■ Circuit diagram

