

# Ventilating Fan Specifications

Model : FV-20AL9T

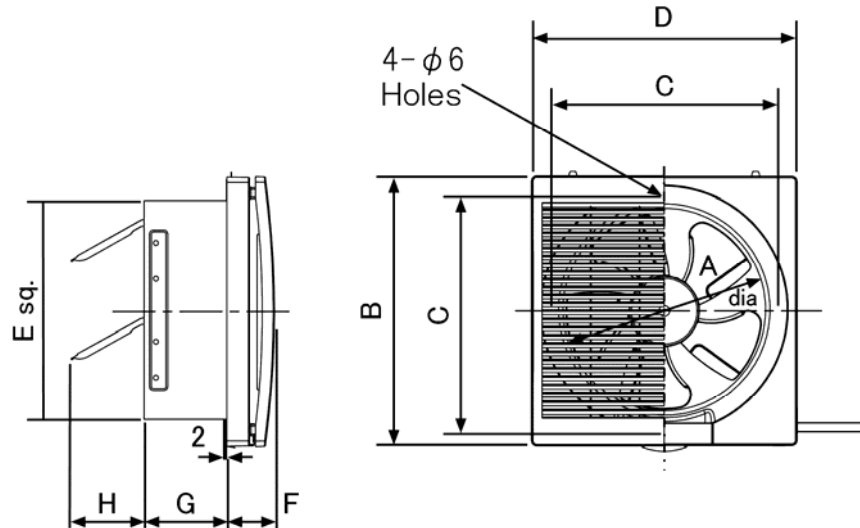
## Specifications

			110V 50Hz	110V 60Hz	127V 60Hz
			Exhaust	Exhaust	Exhaust
Air Volume	m <sup>3</sup> /h	±10%	460	470	600
Power Consumption	W	±12%	21.0	21.0	26.0
Ampere	A	±12%	0.21	0.20	0.22
Noise	dB (A)	+3/-7	38.5	39.0	45.0
*Rotation Speed	min <sup>-1</sup>		1120	1160	1350

\*Rotation Speed data are reference only.

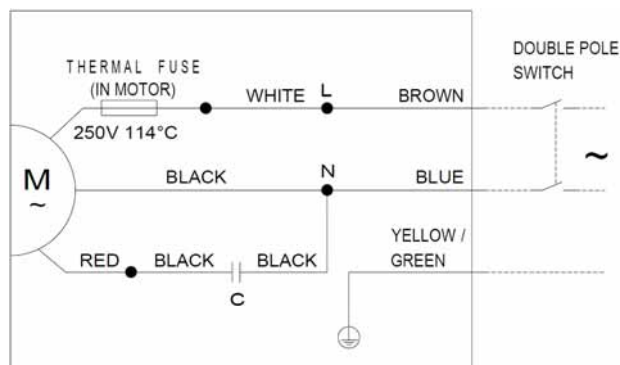
1. Power Rating ----- 110V~ 50Hz / 110-127V~ 60Hz
2. Motor Type ----- Capacitor start and run induction motor
3. Blade Type ----- 200mm dia. propeller fan
4. Ambient Temperature ----- -10 to 40 deg.C
5. Insulation Resistance ----- More than 10meg ohm
6. Electrical Strength ----- 1500V~ 1 minute
7. Net Weight ----- 2.2 Kg
8. Insulation Class ----- Class E

## Drawing with dimensions (Unit: mm)



Model	A	B	C	D	E	F	G	H
FV-20AL9T	200	306	260	302	240	68	90	80

## Circuit diagram



# Ventilating Fan Specifications

Model : FV-20AL9T

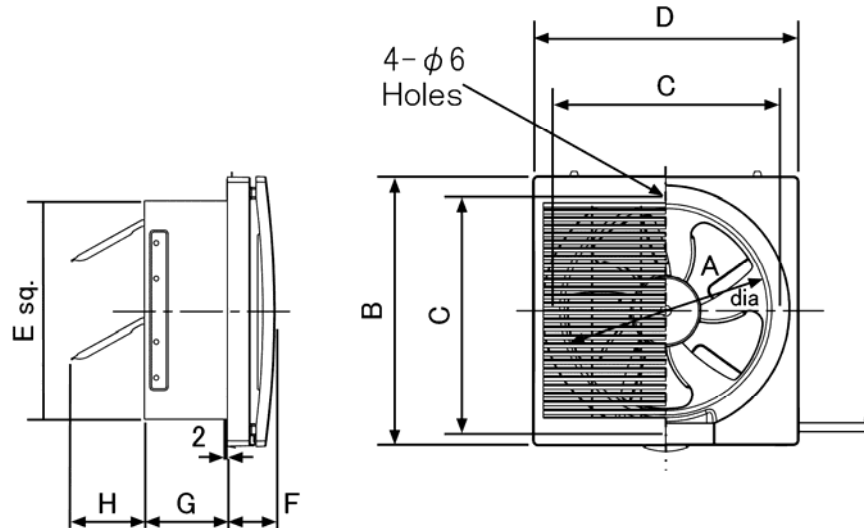
## Specifications

			220V 50Hz	230V 50Hz	240V 50Hz	220V 60Hz	230V 60Hz
			Exhaust	Exhaust	Exhaust	Exhaust	Exhaust
Air Volume	m <sup>3</sup> /h	±10%	546	540	550	600	630
Power Consumption	W	±12%	20.0	22.0	23.0	24.0	25.5
Ampere	A	±12%	0.10	0.10	0.11	0.11	0.11
Noise	dB (A)	+3/-7	40.0	42.0	43.0	44.0	47.0
*Rotation Speed	min <sup>-1</sup>		1190	1210	1240	1340	1440

\*Rotation Speed data are reference only.

1. Power Rating ----- 220-240V~ 50Hz / 220-230V~ 60Hz
2. Motor Type ----- Capacitor start and run induction motor
3. Blade Type ----- 200mm dia. propeller fan
4. Ambient Temperature ----- -10 to 40 deg.C
5. Insulation Resistance ----- More than 10meg ohm
6. Electrical Strength ----- 1500V~ 1 minute
7. Net Weight ----- 2.2 Kg
8. Insulation Class ----- Class E

## Drawing with dimensions (Unit: mm)



Model	A	B	C	D	E	F	G	H
FV-20AL9T	200	306	260	302	240	68	90	80

## Circuit diagram

