

Ventilating Fan Specifications

Model : FV-20RG7T

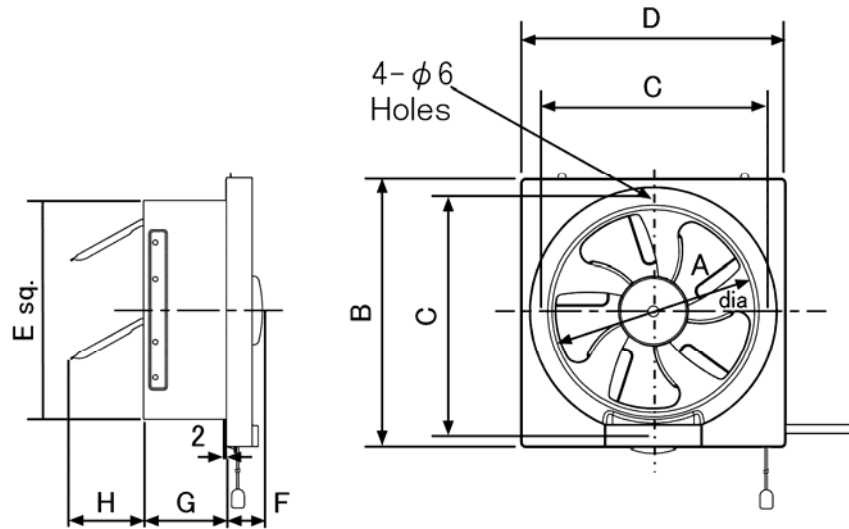
Specifications

			110V 50Hz		110V 60Hz		127V 60Hz	
			Exhaust	Intake	Exhaust	Intake	Exhaust	Intake
Air Volume	m ³ /h	±10%	500	365	520	380	620	450
Power Consumption	W	±12%	21.0	17.0	21.0	17.0	26.0	22.0
Ampere	A	±12%	0.21	0.18	0.20	0.17	0.22	0.19
Noise	dB (A)	+3/-7	35.0	42.5	36.0	43.0	41.5	50.0
*Rotation Speed	min ⁻¹		1100	1100	1170	1110	1370	1330

*Rotation Speed data are reference only.

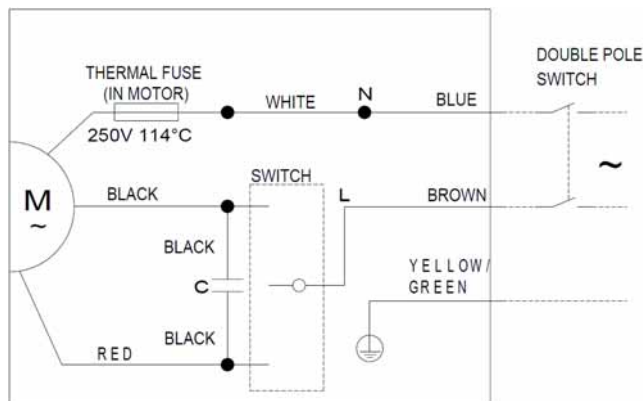
1. Power Rating ----- 110V~ 50Hz / 110-127V~ 60Hz
2. Motor Type ----- Capacitor start and run induction motor
3. Blade Type ----- 200mm dia. propeller fan
4. Ambient Temperature ----- -10 to 40 deg.C
5. Insulation Resistance ----- More than 10meg ohm
6. Electrical Strength ----- 1500V~ 1 minute
7. Net Weight ----- 2.1 Kg
8. Insulation Class ----- Class E

Drawing with dimensions (Unit: mm)



Model	A	B	C	D	E	F	G	H
FV-20RG7T	200	306	260	302	240	52	90	80

Circuit diagram



Ventilating Fan Specifications

Model: FV-20RG7T

Specifications

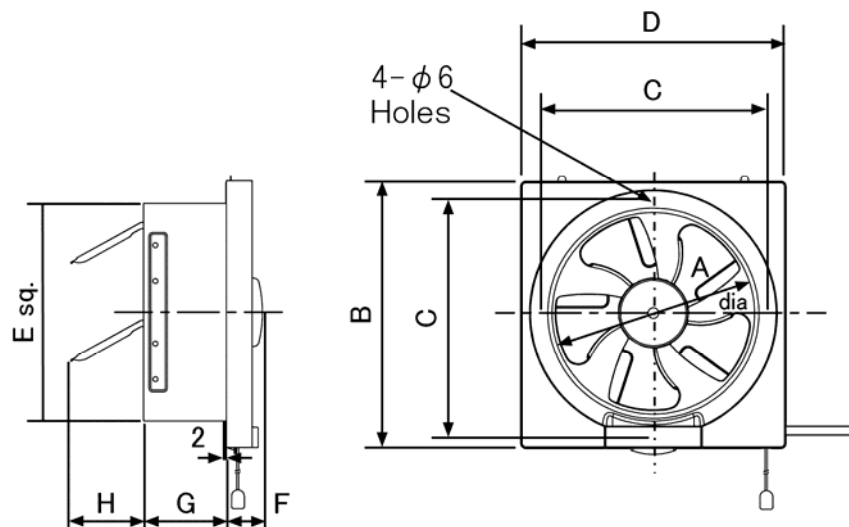
			220V 50Hz		230V 50Hz		240V 50Hz	
			Exhaust	Intake	Exhaust	Intake	Exhaust	Intake
Air Volume	m ³ /h	±10%	580	405	600	410	600	420
Power Consumption	W	±12%	20.0	15.0	21.0	16.0	23.0	17.0
Ampere	A	±12%	0.10	0.07	0.10	0.07	0.11	0.08
Noise	dB (A)	+3/-7	36.0	46.0	38.0	46.0	38.0	46.0
*Rotation Speed	min ⁻¹		1260	1150	1270	1190	1290	1220

			220V 60Hz		230V 60Hz	
			Exhaust	Intake	Exhaust	Intake
Air Volume	m ³ /h	±10%	630	355	650	400
Power Consumption	W	±12%	24.0	17.0	25.0	18.0
Ampere	A	±12%	0.11	0.08	0.11	0.08
Noise	dB (A)	+3/-7	39.0	46.0	40.0	47.0
*Rotation Speed	min ⁻¹		1410	1200	1460	1270

*Rotation Speed data are reference only.

1. Power Rating ----- 220-240V~ 50Hz / 220-230V~ 60Hz
2. Motor Type ----- Capacitor start and run induction motor
3. Blade Type ----- 200mm dia. propeller fan
4. Ambient Temperature ----- -10 to 40 deg.C
5. Insulation Resistance ----- More than 10meg ohm
6. Electrical Strength ----- 1500V~ 1 minute
7. Net Weight ----- 2.1 Kg
8. Insulation Class ----- Class E

Drawing with dimensions (Unit: mm)



Model	A	B	C	D	E	F	G	H
FV-20RG7T	200	306	260	302	240	52	90	80

Circuit diagram

