

# Ventilating Fan Specifications

Model: FV-20RL7T

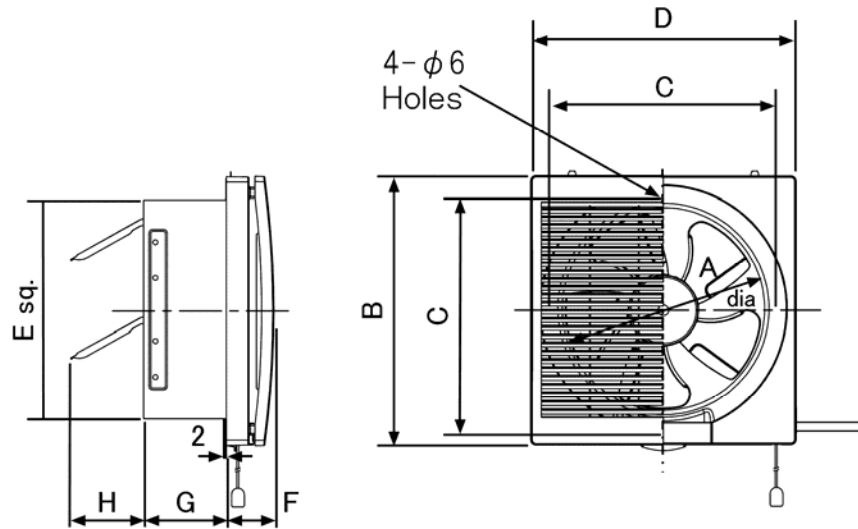
## Specifications

|                   |                   |       | 110V 50Hz |        | 110V 60Hz |        | 127V 60Hz |        |
|-------------------|-------------------|-------|-----------|--------|-----------|--------|-----------|--------|
|                   |                   |       | Exhaust   | Intake | Exhaust   | Intake | Exhaust   | Intake |
| Air Volume        | m <sup>3</sup> /h | ±10%  | 450       | 330    | 470       | 350    | 560       | 390    |
| Power Consumption | W                 | ±12%  | 21.0      | 17.0   | 21.0      | 17.0   | 26.0      | 21.0   |
| Ampere            | A                 | ±12%  | 0.21      | 0.18   | 0.20      | 0.17   | 0.22      | 0.18   |
| Noise             | dB (A)            | +3/-7 | 39.0      | 43.0   | 40.0      | 44.0   | 44.0      | 50.0   |
| *Rotation Speed   | min <sup>-1</sup> |       | 1110      | 1150   | 1150      | 1220   | 1380      | 1400   |

\*Rotation Speed data are reference only.

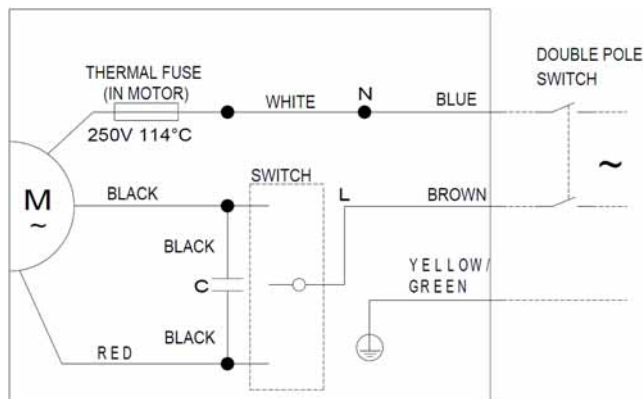
1. Power Rating ----- 110V~ 50Hz / 110-127V~ 60Hz
2. Motor Type ----- Capacitor start and run induction motor
3. Blade Type ----- 200mm dia. propeller fan
4. Ambient Temperature ----- -10 to 40 deg.C
5. Insulation Resistance ----- More than 10meg ohm
6. Electrical Strength ----- 1500V~ 1 minute
7. Net Weight ----- 2.4 Kg
8. Insulation Class ----- Class E

## Drawing with dimensions (Unit: mm)



| Model     | A   | B   | C   | D   | E   | F  | G  | H  |
|-----------|-----|-----|-----|-----|-----|----|----|----|
| FV-20RL7T | 200 | 306 | 260 | 302 | 240 | 68 | 90 | 80 |

## Circuit diagram



# Ventilating Fan Specifications

Model : FV-20RL7T

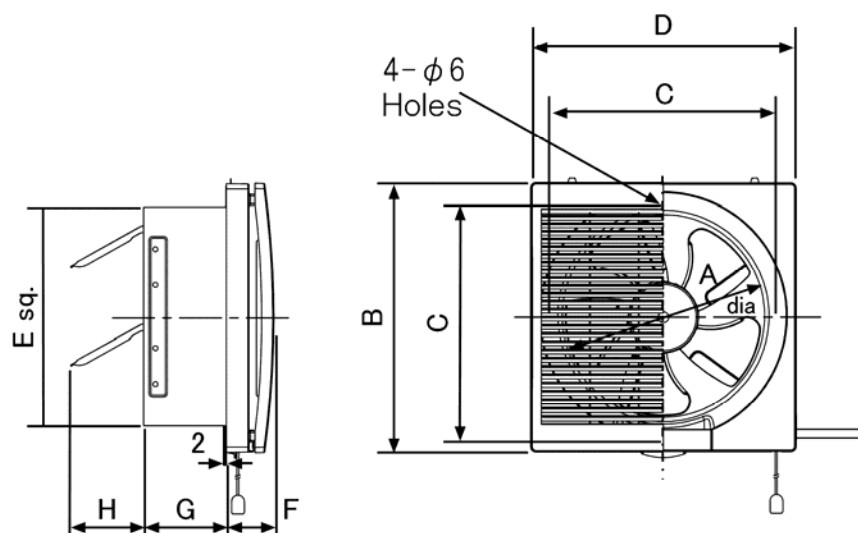
## Specifications

|                   |                   |       | 220V 50Hz |        | 230V 50Hz |        | 240V 50Hz |        |
|-------------------|-------------------|-------|-----------|--------|-----------|--------|-----------|--------|
|                   |                   |       | Exhaust   | Intake | Exhaust   | Intake | Exhaust   | Intake |
| Air Volume        | m <sup>3</sup> /h | ±10%  | 546       | 370    | 550       | 380    | 550       | 390    |
| Power Consumption | W                 | ±12%  | 20.0      | 15.0   | 22.0      | 16.0   | 23.0      | 17.0   |
| Ampere            | A                 | ±12%  | 0.10      | 0.07   | 0.10      | 0.07   | 0.11      | 0.08   |
| Noise             | dB (A)            | +3/-7 | 39.0      | 46.0   | 42.0      | 46.0   | 43.0      | 46.0   |
| *Rotation Speed   | min <sup>-1</sup> |       | 1240      | 1190   | 1260      | 1220   | 1280      | 1250   |
|                   |                   |       | 220V 60Hz |        | 230V 60Hz |        |           |        |
|                   |                   |       | Exhaust   | Intake | Exhaust   | Intake |           |        |
| Air Volume        | m <sup>3</sup> /h | ±10%  | 570       | 340    | 600       | 380    |           |        |
| Power Consumption | W                 | ±12%  | 24.0      | 17.0   | 26.0      | 18.0   |           |        |
| Ampere            | A                 | ±12%  | 0.11      | 0.08   | 0.12      | 0.08   |           |        |
| Noise             | dB (A)            | +3/-7 | 43.0      | 46.0   | 45.0      | 48.0   |           |        |
| *Rotation Speed   | min <sup>-1</sup> |       | 1400      | 1220   | 1420      | 1320   |           |        |

\*Rotation Speed data are reference only.

1. Power Rating ----- 220-240V~ 50Hz / 220-230V~ 60Hz
2. Motor Type ----- Capacitor start and run induction motor
3. Blade Type ----- 200mm dia. propeller fan
4. Ambient Temperature ----- -10 to 40 deg.C
5. Insulation Resistance ----- More than 10meg ohm
6. Electrical Strength ----- 1500V~ 1 minute
7. Net Weight ----- 2.4 Kg
8. Insulation Class ----- Class E

## Drawing with dimensions (Unit : mm)



| Model     | A   | B   | C   | D   | E   | F  | G  | H  |
|-----------|-----|-----|-----|-----|-----|----|----|----|
| FV-20RL7T | 200 | 306 | 260 | 302 | 240 | 68 | 90 | 80 |

## Circuit diagram

