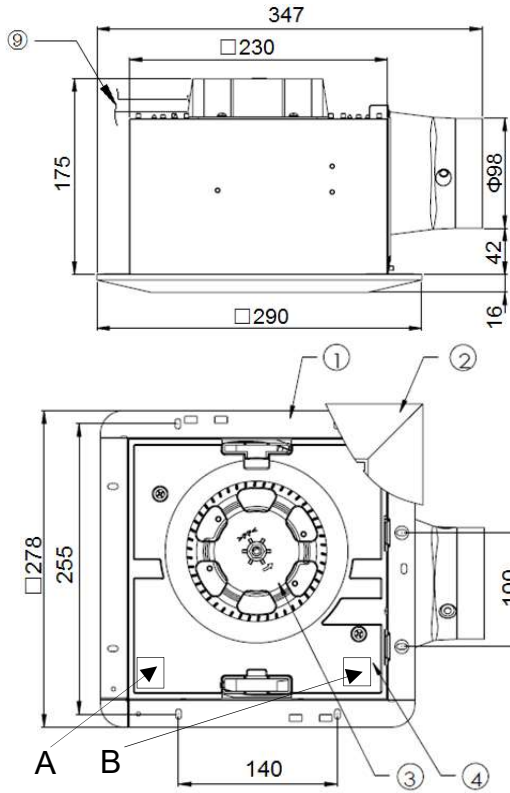


External And Mounting Dimensions

➤ Dimensions :



➤ Labeling Position

Mark	Item	Comment
A	Name Plate Label	
B	AMCA Label (only for ACHM,NBHM,VBHM Model)	

Component Parts List

➤ Parts List

Mark	Part Name	Material	Quantity	Mark	Part Name	Material	Quantity
①	Frame Assy	SGCC	1	⑤	Casing	PP	1
②	Louver	ABS	1	⑥	Motor	-	1
③	Fan	PP	1	⑦	Wiring cover	PP	1
④	Orifice	PP	1	⑧	Adapter Assy	SGCC	1
				⑨	Power Cord	-	1

➤ Accessory List

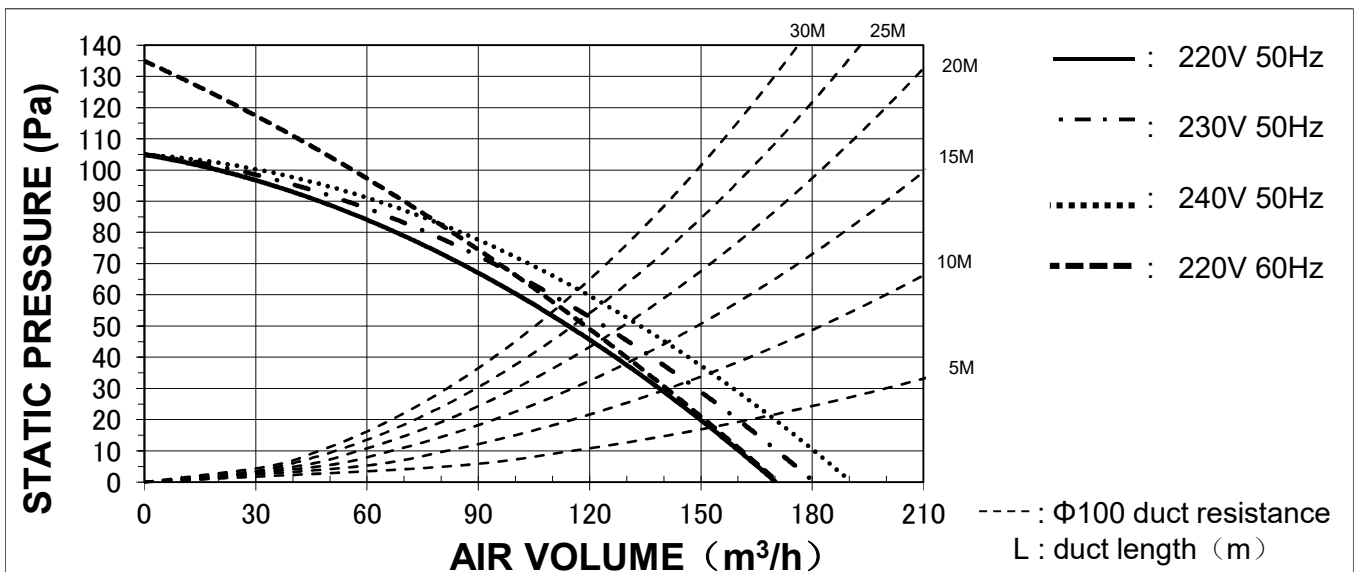
Item	Quantity	Comment (usage)
OPERATING INST.	1	
ACCESSORY	1	Installation use bolt
WARRANTY CARD	1	

Product		Page	1/2
CMV/F		Model	
FV-24CD8			
Make Date	20160623	Scale	Drawing No. CMV16027
Modification Date			Modification No.
Panasonic Ecology Systems Guangdong Co., Ltd.			

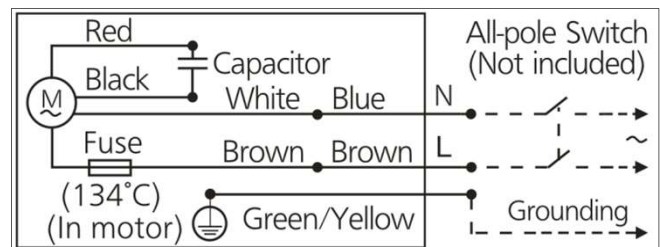
Authentication Information

Market Market	Qatar	Oman	S`arabia	Yemen	Kuwait	UAE	Jordan
Voltage (V,Hz)	240V 50Hz	240V 50Hz	220V 60Hz	230V 50Hz	240V 50Hz	230/240V 50Hz	220/230V 50Hz
Law Regulations	GCC CB AMCA	GCC AMCA	GCC SASO AMCA	GCC	GCC KUCAS AMCA	GCC ECAS AMCA	JMSO CB

Specification Data



Model No.	FV-24CD8			
Rated voltage/Frequency	220V 50Hz	230V 50Hz	240V 50Hz	220V 60Hz
Air volume $m^3/h(m^3/min)$ $\pm 10\%$	170 (2.8)	180 (3)	190 (3.1)	170 (2.8)
Power consumption W	14.5	16	17.5	16.5
Current A	0.067	0.07	0.074	0.076
Noise dB(A) $^{+3}_{-7}$	29.5	32.5		31.5
Static pressure Pa	105			135
Net weight kg	2.8			
Motor type	Capacitor Motor Insulation Class:E 4P Motor			
Fan type	Centrifugal fan			
Ambient temperature	$-10^{\circ}C \sim +40^{\circ}C$			
Insulation resistant	$> 10M\Omega$			
Electric strength	1min AC 1500V			
Duct size	$\Phi 100$			



Remark:

- ① The air volume, electric characteristic and noise are specified at the static pressure of 0 Pa.
- ② The values of noise level is A weighted average sound pressure level, the mean value are measured by our company, within +3 and -7 to tolerance.
- ③ The values of noise level are measured at 1m away from the left side/right side/bottom of the sample respectively.and the calculate the average value.
- ④ The values of air volume are the mid-points of results measures by our company, within $\pm 10\%$ tolerance.
- ⑤ Static pressure is the central value of the company's test results when the air volume is 0,with a lower deviation of -10%.

Product		Page	2/2
CMV/F		Model	
Make Date		FV-24CD8	
20160623	Scale	Drawing No.	CMV16027
Modification Date		Modification No.	
Panasonic Ecology Systems Guangdong Co., Ltd.			