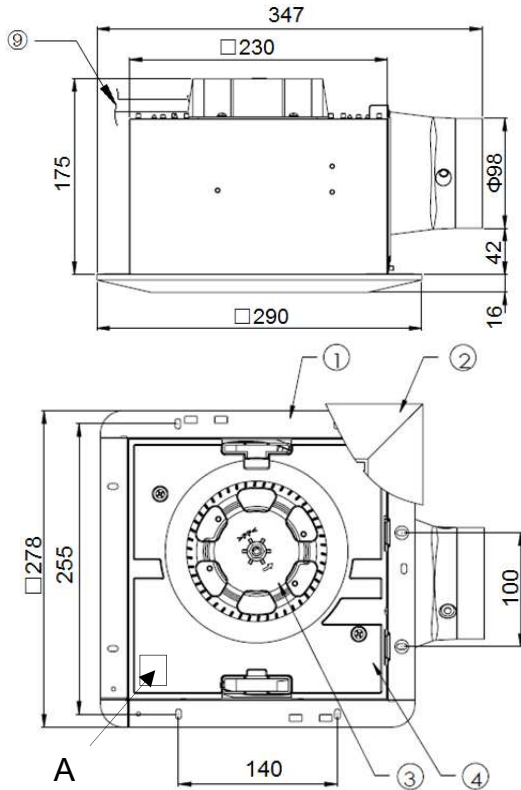


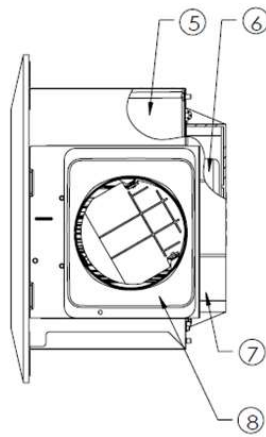
### External And Mounting Dimensions

#### ➤ Dimensions :



#### ➤ Labeling Position

Mark	Item	Comment
A	銘牌 Name Plate Label	



### Component Parts List

#### ➤ Parts List

Mark	Part Name	Material	Quantity	Mark	Part Name	Material	Quantity
①	Frame Assy 框架組合	SGCC 鍍鋅鋼板	1	⑤	Casing 蝸牛殼	PP	1
②	Louver 百葉	ABS	1	⑥	Motor 馬達	-	1
③	Fan 扇葉	PP	1	⑦	Wiring cover 接線蓋	PP	1
④	Orifice 面罩	PP	1	⑧	Adapter Assy 接頭組合	SGCC 鍍鋅鋼板	1
				⑨	Power Cord 電源線	-	1

#### ➤ Accessory List

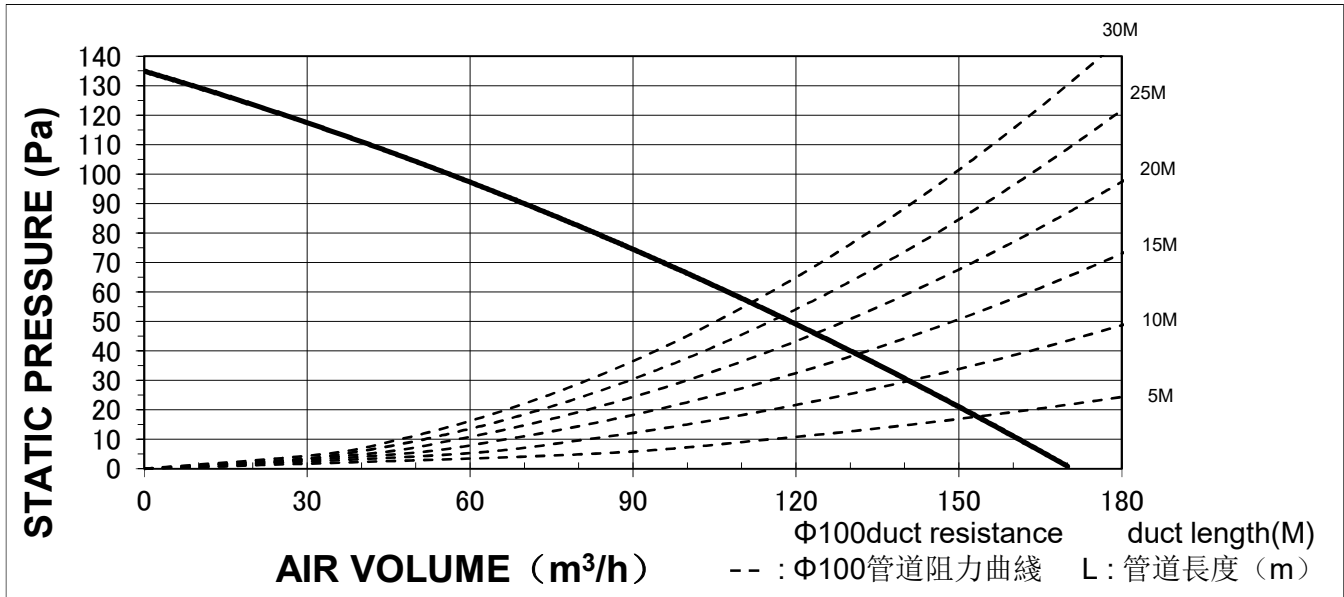
Item	Quantity	Comment (usage)
安裝使用說明書 OPERATING INST.	1	
附件包 ACCESSORY	1	Installation use bolt
保修卡 WARRANTY CARD	1	

### Authentication Information

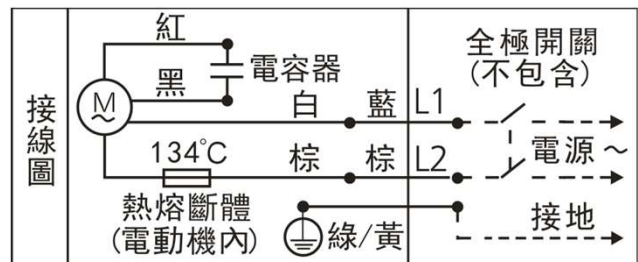
#### ➤ BSMI

Product		Page		1/2	
CMV/F		Model			
		FV-24CD8W			
Make Date	20160623	Scale	Drawing No.	CMV16028	
Modification Date			Modification No.		
Panasonic Ecology Systems Guangdong Co., Ltd.					

## Specification Data



Model No. 型號	FV-24CD8W
Rated voltage/Frequency 額定電壓/頻率	220V 60Hz
Air volume 風量 $m^3/h (m^3/min) \pm 10\%$	170 (2.8)
Power consumption 功率 W	16.5
Current 電流 A	0.076
Noise 噪音 $dB(A)^{+3}_{-7}$	31.5
Static pressure 靜壓 Pa	135
Net weight 淨重 kg	2.8
Motor type 馬達類型	Capacitor Motor Insulation Class:E 4P Motor 電容驅動馬達, 絕緣等級: E, 4極馬達
Fan type 扇葉類型	Centrifugal fan 離心扇葉
Ambient temperature 環境溫度	$-10^{\circ}C \sim +40^{\circ}C$
Insulation resistant 絕緣電阻	$>10M\Omega$
Electric strength 電氣強度	1min AC 1500V
Duct size 管道尺寸	$\Phi 100$



### Remark: 備註:

- The air volume, electric characteristic and noise are specified at the static pressure of 0 Pa. 風量、電氣特性、噪音值等數據是在靜壓為0Pa狀態下的數值。
- The values of noise level is A weighted average sound pressure level, the mean value are measured by our company, within +3 and -7 to tolerance. 噪音值是A計權平均聲壓級, 是本公司測試結果的中心值, 有+3, -7的公差範圍
- The values of noise level are measured at 1m away from the left side/right side/bottom of the sample respectively and the calculate the average value. 噪音值的測試方法為噪音測試室內, 距樣品左側、右側、下方各1米處測定其噪音值, 然後取平均值。
- The values of air volume are the mid-points of results measures by our company, within  $\pm 10\%$  tolerance. 風量是本公司測試結果的中心值, 有 $\pm 10\%$ 得公差範圍。
- Static pressure is the central value of the company's test results when the air volume is 0, with a lower deviation of -10%. 靜壓是風量為0時本公司測試結果的中心值, 下偏差為-10%。

Product		Page	2/2
CMV/F		Model	
FV-24CD8W		FV-24CD8W	
Make Date	20160623	Scale	Drawing No. CMV16028
Modification Date			Modification No.
Panasonic Ecology Systems Guangdong Co., Ltd.			