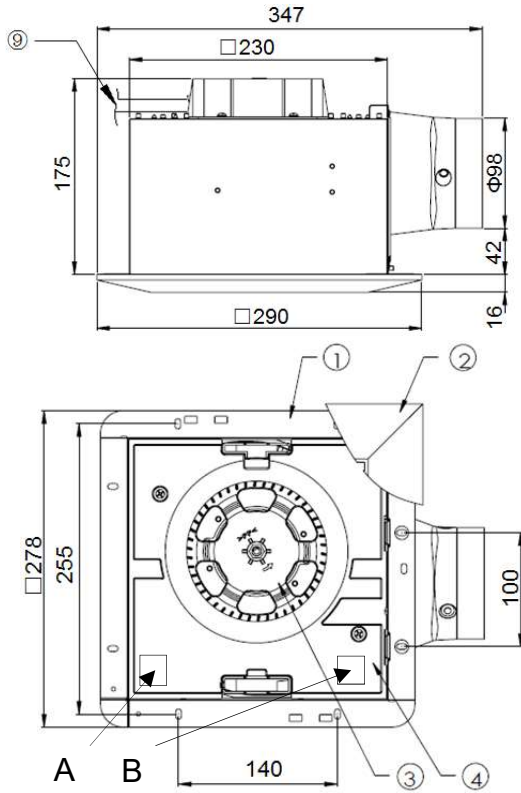


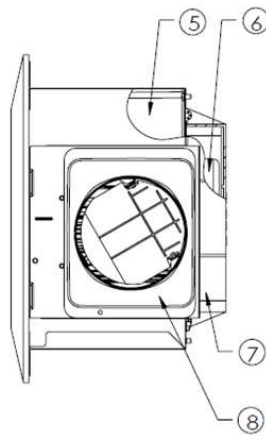
External And Mounting Dimensions

➤ Dimensions :



➤ Labeling Position

Mark	Item	Comment
A	Name Plate Label	
B	AMCA Label (only for ACHM,NBHM,VBHM Model)	



Component Parts List

➤ Parts List

Mark	Part Name	Material	Quantity	Mark	Part Name	Material	Quantity
①	Frame Assy	SGCC	1	⑤	Casing	PP	1
②	Louver	ABS	1	⑥	Motor	-	1
③	Fan	PP	1	⑦	Wiring cover	PP	1
④	Orifice	PP	1	⑧	Adapter Assy	SGCC	1
				⑨	Power Cord	-	1

➤ Accessory List

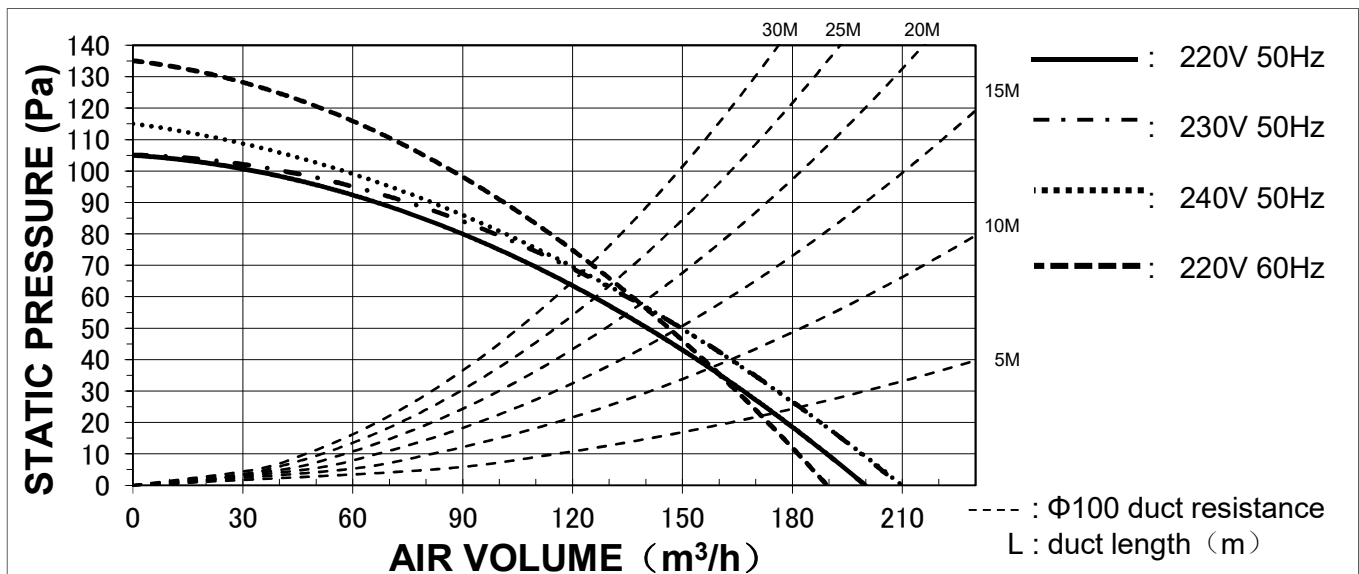
Item	Quantity	Comment (usage)
OPERATING INST.	1	
ACCESSORY	1	Installation use bolt
WARRANTY CARD	1	

Product		Page	1/2
CMV/F		Model	
FV-24CH8			
Make Date	20160623	Scale	Drawing No. CMV16030
Modification Date			Modification No.
Panasonic Ecology Systems Guangdong Co., Ltd.			

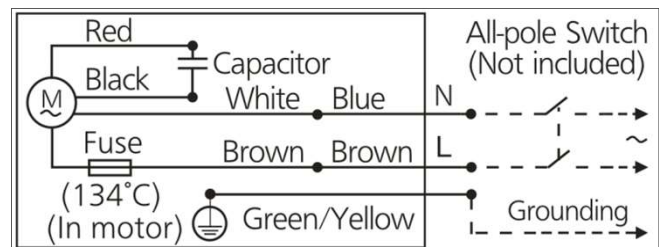
Authentication Information

Market Market	Qatar	Oman	S`arabia	Yemen	Kuwait	UAE	Jordan
Voltage (V,Hz)	240V 50Hz	240V 50Hz	220V 60Hz	230V 50Hz	240V 50Hz	230/240V 50Hz	220/230V 50Hz
Law Regulations	GCC CB AMCA	GCC AMCA	GCC SASO AMCA	GCC	GCC KUCAS AMCA	GCC ECAS AMCA	JMSO CB

Specification Data



Model No.	FV-24CH8			
Rated voltage/Frequency	220V 50Hz	230V 50Hz	240V 50Hz	220V 60Hz
Air volume m ³ /h(m ³ /min) ±10%	200 (3.3)	210 (3.5)		190 (3.1)
Power consumption W	18	20	22	
Current A	0.082	0.088	0.092	0.102
Noise dB(A) ₋₇ ⁺³	33.5	35	36	33.5
Static pressure Pa	105		115	135
Net weight kg	2.8			
Motor type	Capacitor Motor Insulation Class:E 4P Motor			
Fan type	Centrifugal fan			
Ambient temperature	-10°C ~ +40°C			
Insulation resistant	>10MΩ			
Electric strength	1min AC 1500V			
Duct size	Φ100			



Remark:

- ①The air volume, electric characteristic and noise are specified at the static pressure of 0 Pa.
- ②The values of noise level is A weighted average sound pressure level, the mean value are measured by our company, within +3 and -7 to tolerance.
- ③The values of noise level are measured at 1m away from the left side/right side/bottom of the sample respectively.and the calculate the average value.
- ④The values of air volume are the mid-points of results measures by our company, within ± 10% tolerance.
- ⑤Static pressure is the central value of the company's test results when the air volume is 0,with a lower deviation of -10%.

Product		Page	2/2
CMV/F		Model	
		FV-24CH8	
Make Date	20160623	Scale	Drawing No. CMV16030
Modification Date			Modification No.
Panasonic Ecology Systems Guangdong Co., Ltd.			