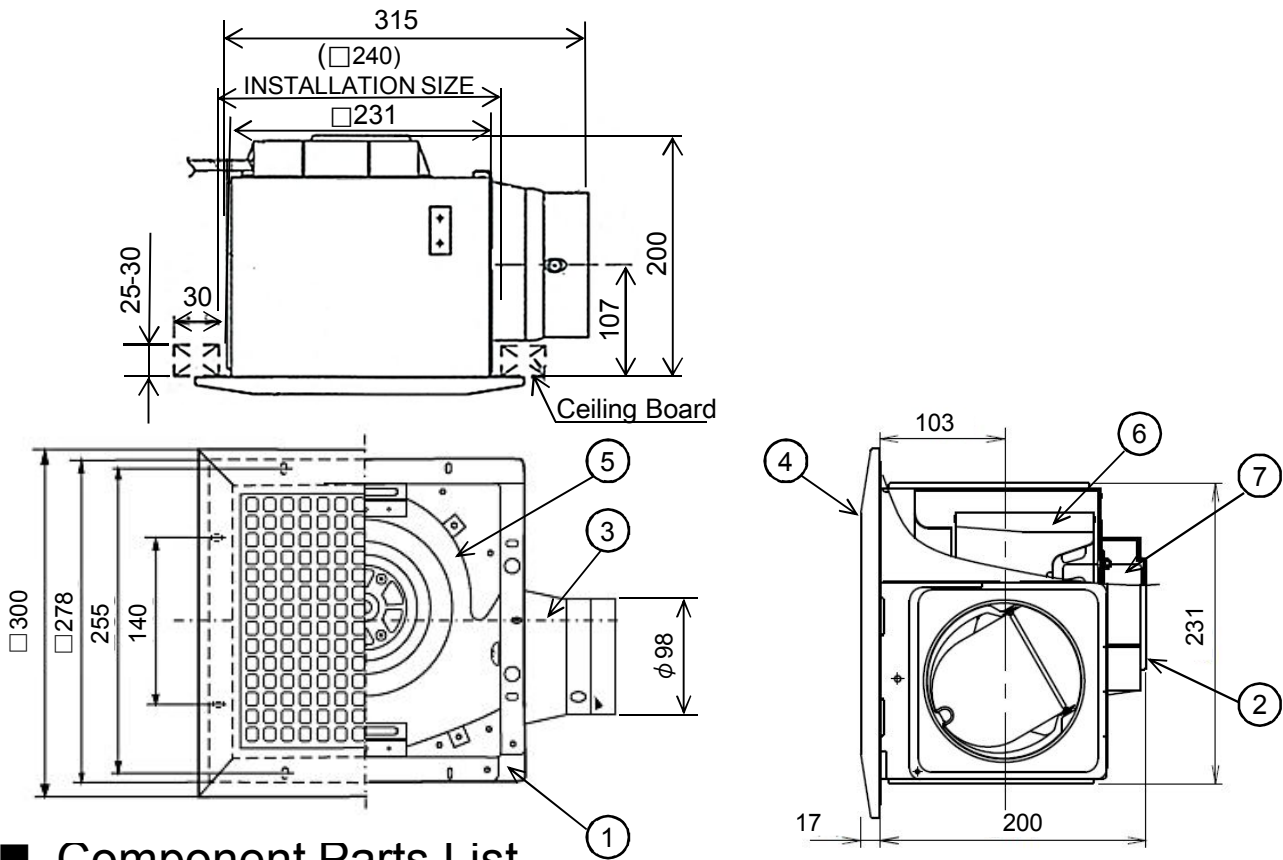


External Dimensions (unit :mm)



Component Parts List

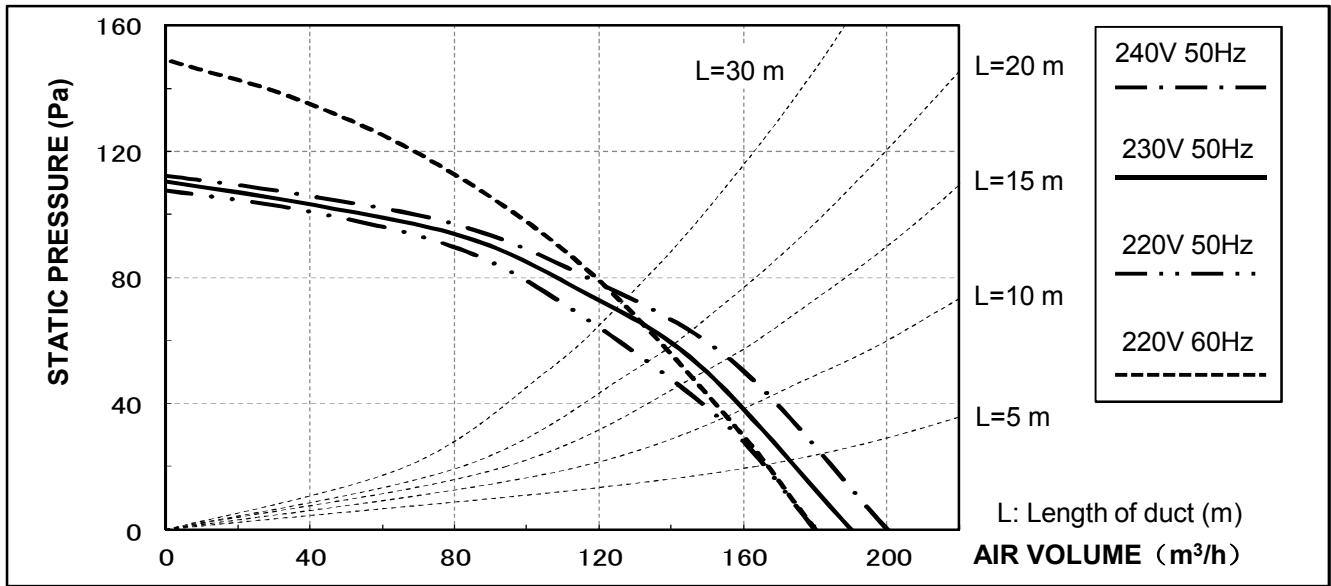
Mark	Part Name	Material	Quantity
①	Frame	Galvanized steel	1
②	Cover	Polypropylene	1
③	Adaptor	Galvanized steel	1
④	Louver	Galvanized steel with white painted	1
⑤	Casing Assy	Galvanized steel	1
⑥	Blade	Galvanized steel	1
⑦	Motor	—	1

Authentication Information

① CB ② GCC ③ SASO ④ ECAS ⑤ AMCA

Product		Page		1/3	
CMV/F		Model		FV-24CMH1	
Make Date	2017.05.31	Scale	Drawing No.	CMV16048	
Modification Date			Modification No.		
Panasonic Ecology Systems Guangdong Co., Ltd.					

■ Air volume - static pressure curve



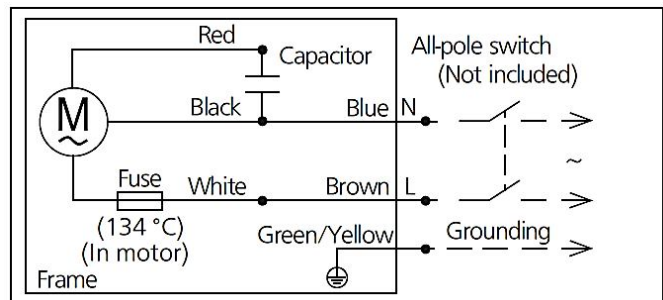
■ Specifications

Power Rating	V/Hz		220V 50Hz	230V 50Hz	240V 50Hz	220V 60Hz
Air volume	m³/h	(±10%)	180	190	200	180
Power consumption	W	(±12%)	20	22	25	23
Current	A	(±12%)	0.094	0.098	0.102	0.106
Noise	dB(A)	(+3dB,-7dB)	37	37.5	38	37
Static pressure		(Pa)	105	110	110	150
Net weight		(kg)	3.9			
Motor type	Capacitor motor, Insulation class : E					
Ambient temperature	-10°C ~ +50°C					
Insulation resistant	> 10MΩ (DC 500V 1min)					
Electric strength	Withstand AC 1500V, 1min					
Duct size		(mm)	Φ100			

Notes:

- The values of power consumption, air volume, noise, current are specified at the static pressure of 0 Pa.
- The values of noise level is A weighted average sound pressure level, the mean value are measured by our company, within +3 dB and -7 dB to tolerance.
- The values of noise level are measured at 1m away from the left side, right side and bottom side of the sample respectively, and the calculate the average value.
- The lowest of this ventilating fan should be mounted above 2.3 m from the floor.

■ Wiring diagram



Product			Page	2/3
CMV/F			Model	
			FV-24CMH1	
Make Date	2017.05.31	Scale	Drawing No.	CMV16048
Modification Date			Modification No.	
Panasonic Ecology Systems Guangdong Co., Ltd.				

■ AMCA License



Panasonic Ecology Systems Guangdong Co., Ltd. certifies that the Super Quiet Series models shown herein are licensed to bear the AMCA Seal. The ratings shown are based on tests and procedures performed in accordance with AMCA Publication 211 and AMCA Publication 311 and comply with the requirements of the AMCA Certified Ratings Program.

■ AMCA Specifications

Voltage	Frequency	CFM/SONE AT STATIC Pressure(ps-inches of H ₂ O)							RPM	Watts*	Watts**
		inches of H ₂ O	0	0.1	0.125	0.25	0.375	0.5			
220V	60Hz	CFM	94	85	83	72	54	-	681	25	23
		Sones	1.0	1.4	1.5	1.9	2.3	-			
240V	50Hz	CFM	108	98	95	77	44	-	753	27	25
		Sones	1.4	1.8	1.9	2.1	2.2	-			

Performance certified is for installation type B: Free inlet , Duct outlet. Performance ratings include the effects of an inlet grille and back draft damper. Speed (RPM) shown is nominal. Performance is based on actual speed of test. The sound ratings shown are loudness values in fan sones at 5 ft(1.5m) in a hemispherical free field calculated per AMCA International Standard 301. Values shown are for installation type B: free inlet hemispherical sone levels.

*the Watts rating is only for AMCA test method and it is at the static pressure of 0 inch of H₂O.

**the Watts rating is only for IEC test method and the AMCA Certified Ratings Seal does not apply to IEC test method watts.

			Page	3/3
Product			Model	
CMV/F			FV-24CMH1(AMCA)	
Make Date	2017.05.31	Scale	Drawing No.	CMV16048
Modification Date			Modification No.	
Panasonic Ecology Systems Guangdong Co., Ltd.				