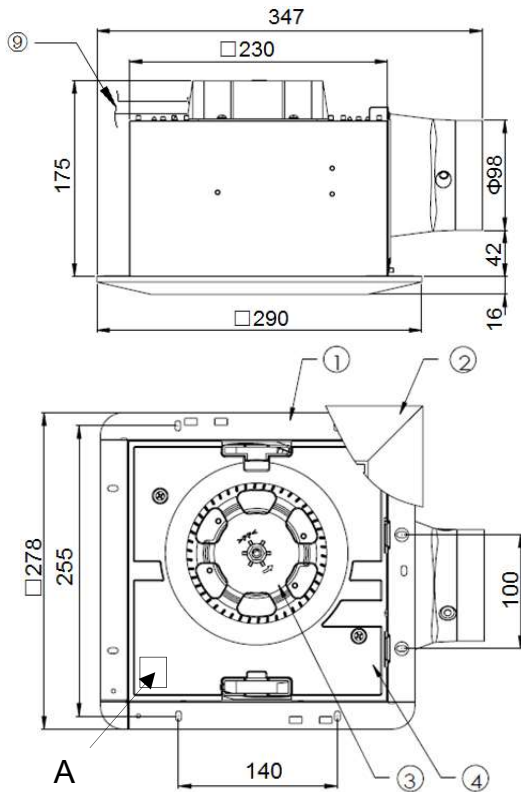


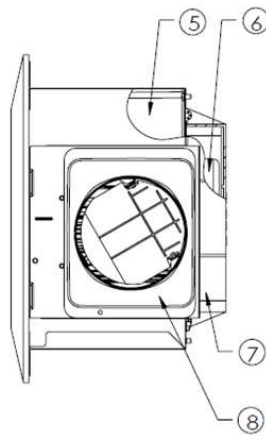
### External And Mounting Dimensions

#### ➤ Dimensions :



#### ➤ Labeling Position

Mark	Item	Comment
A	銘牌 Name Plate Label	



### Component Parts List

#### ➤ Parts List

Mark	Part Name	Material	Quantity	Mark	Part Name	Material	Quantity
①	Frame Assy 框架組合	SGCC 鍍鋅鋼板	1	⑤	Casing 蝸牛殼	PP	1
②	Louver 百葉	ABS	1	⑥	Motor 馬達	-	1
③	Fan 扇葉	PP	1	⑦	Wiring cover 接線蓋	PP	1
④	Orifice 面罩	PP	1	⑧	Adapter Assy 接頭組合	SGCC 鍍鋅鋼板	1
				⑨	Power Cord 電源線	-	1

#### ➤ Accessory List

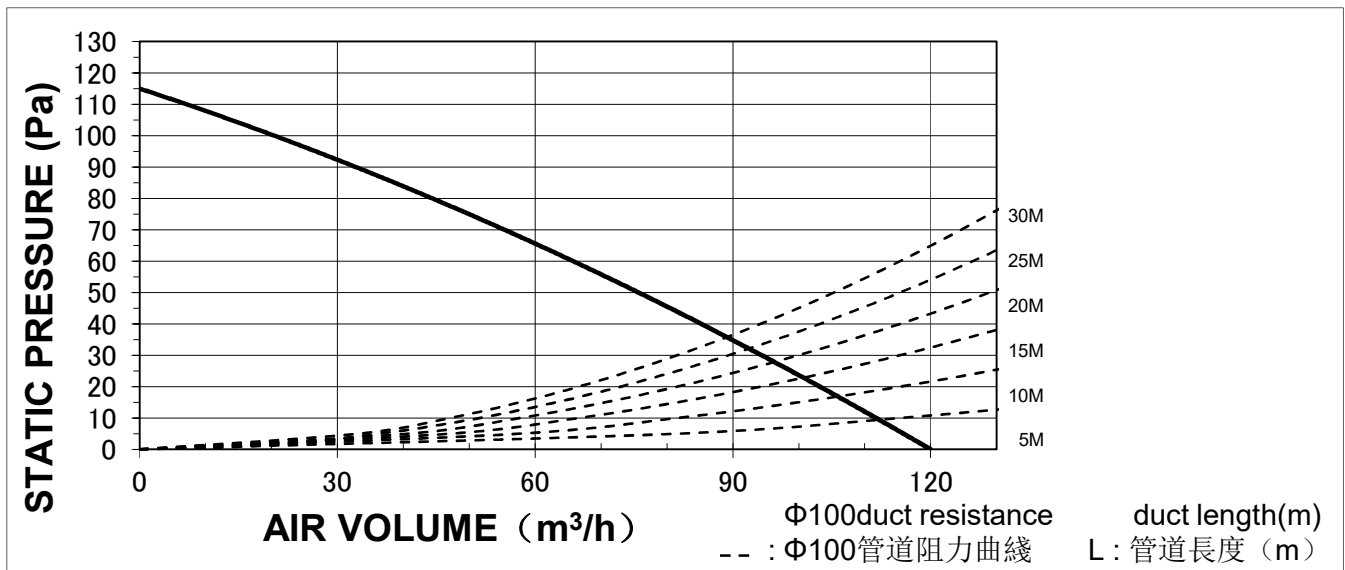
Item	Quantity	Comment (usage)
安裝使用說明書 OPERATING INST.	1	
附件包 ACCESSORY	1	Installation use bolt
保修卡 WARRANTY CARD	1	

### Authentication Information

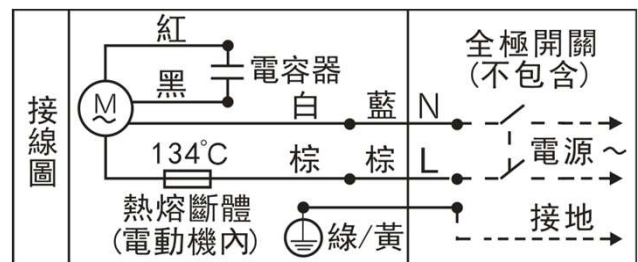
#### ➤ BMSI

Product		Page		1/2	
CMV/F		Model			
		FV-24CU8R			
Make Date	20160623	Scale	Drawing No.	CMV16026	
Modification Date			Modification No.		
Panasonic Ecology Systems Guangdong Co., Ltd.					

## ■ Specification Data



Model No. 型號	FV-24CU8R
Rated voltage/Frequency 額定電壓/頻率	110V 60Hz
Air volume 風量 m <sup>3</sup> /h (m <sup>3</sup> /min) ±10%	120 (2)
Power consumption 功率 W	10.5
Current 電流 A	0.096
Noise 噪音 dB(A)+3 -7	26
Static pressure 靜壓 Pa	115
Net weight 淨重 kg	2.8
Motor type 馬達類型	Capacitor Motor Insulation Class:E 4P Motor 電容驅動馬達, 絕緣等級: E, 4極馬達
Fan type 扇葉類型	Centrifugal fan 離心扇葉
Ambient temperature 環境溫度	-10°C ~ +40°C
Insulation resistant 絕緣電阻	>10MΩ
Electric strength 電氣強度	1min AC 1000V
Duct size 管道尺寸	Φ100



**Remark:**

**備註:**

- The air volume, electric characteristic and noise are specified at the static pressure of 0 Pa. 風量、電氣特性、噪音值等數據是在靜壓為0Pa狀態下的數值。
- The values of noise level is A weighted average sound pressure level, the mean value are measured by our company, within +3 and -7 to tolerance. 噪音值是A計權平均聲壓級, 是本公司測試結果的中心值, 有+3, -7的公差範圍
- The values of noise level are measured at 1m away from the left side/right side/bottom of the sample respectively, and the calculate the average value. 噪音值的測試方法為噪音測試室內, 距樣品左側、右側、下方各1米處測定其噪音值, 然後取平均值。
- The values of air volume are the mid-points of results measures by our company, within ±10% tolerance. 風量是本公司測試結果的中心值, 有±10%得公差範圍。
- Static pressure is the central value of the company's test results when the air volume is 0, with a lower deviation of -10%. 靜壓是風量為0時本公司測試結果的中心值, 下偏差為-10%。

Product		Page	2/2
CMV/F		Model	
FV-24CU8R		FV-24CU8R	
Make Date	20160623	Scale	Drawing No. CMV16026
Modification Date			Modification No.
Panasonic Ecology Systems Guangdong Co., Ltd.			