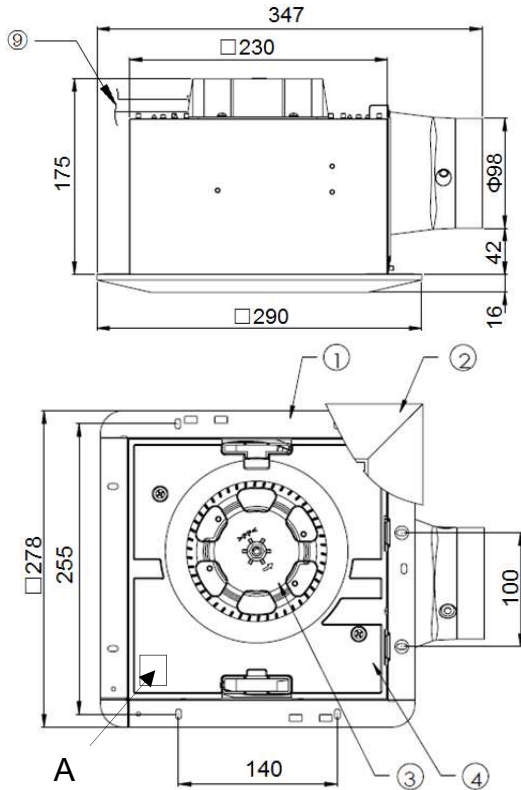


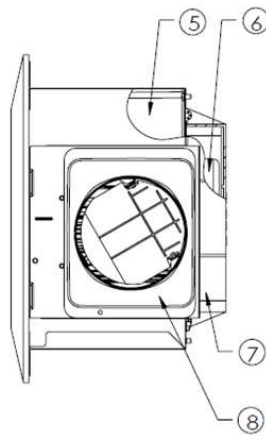
### External And Mounting Dimensions

#### ➤ Dimensions :



#### ➤ Labeling Position

Mark	Item	Comment
A	铭牌 Name Plate Label	



### Component Parts List

#### ➤ Parts List

Mark	Part Name	Material	Quantity	Mark	Part Name	Material	Quantity
①	Frame Assy 框架组合	SGCC 镀锌钢板	1	⑤	Casing 蜗牛壳	PP	1
②	Louver 百叶	ABS	1	⑥	Motor 马达	-	1
③	Fan 扇叶	PP	1	⑦	Wiring cover 接线盖	PP	1
④	Orifice 面罩	PP	1	⑧	Adapter Assy 接头组合	SGCC 镀锌钢板	1
				⑨	Power Cord 电源线	-	1

#### ➤ Accessory List

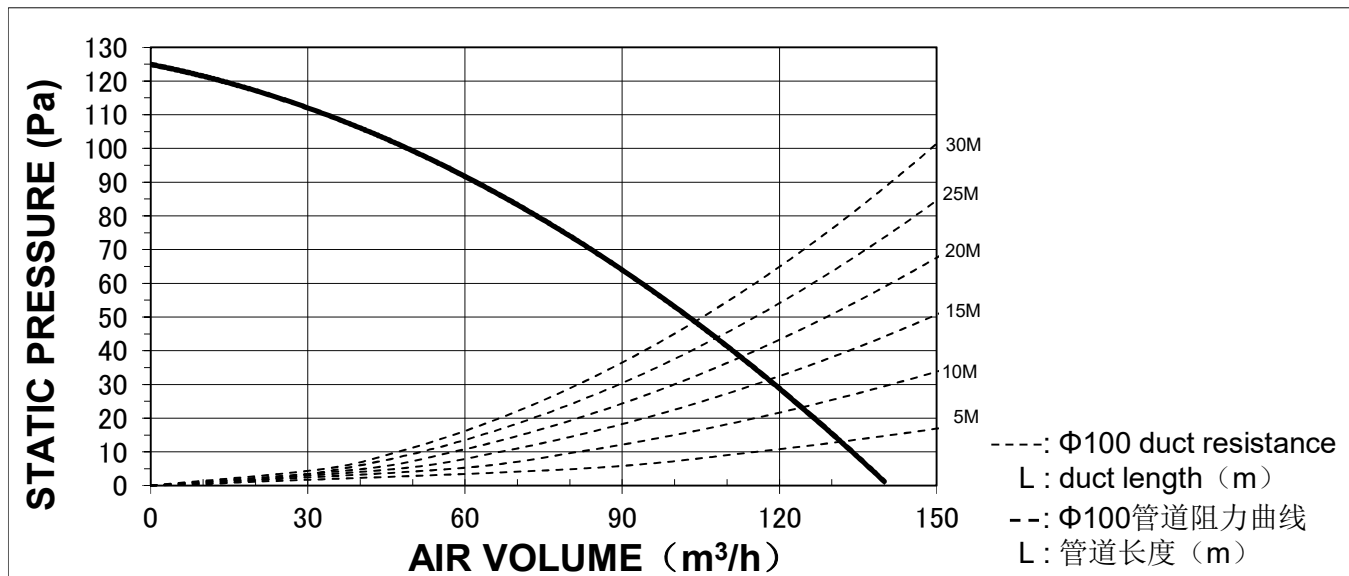
Item	Quantity	Comment (usage)
安装使用说明书 OPERATING INST.	1	
附件包 ACCESSORY	1	Installation use bolt
保修卡 WARRANTY CARD	1	

### Authentication Information

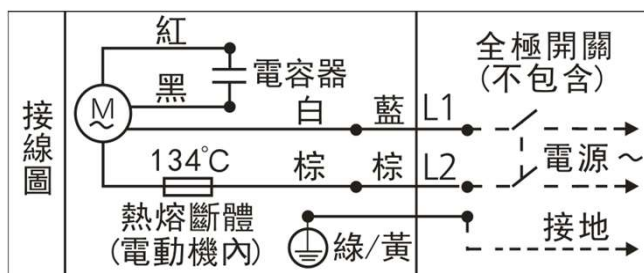
#### ➤ BMSI

Product		Page	1/2
CMV/F		Model	
FV-24CU8W			
Make Date	20160623	Scale	Drawing No. CMV16025
Modification Date			Modification No.
Panasonic Ecology Systems Guangdong Co., Ltd.			

## ■ Specification Data



Model No. 型号	FV-24CU8W
Rated voltage/Frequency 额定电压/频率	220V 60Hz
Air volume 风量 m <sup>3</sup> /h (m <sup>3</sup> /min) ±10%	140 (2.3)
Power consumption 功率 W	15.5
Current 电流 A	0.071
Noise 噪音 dB(A) <sup>+3</sup> <sub>-7</sub>	28
Static pressure 静压 Pa	125
Net weight 净重 kg	2.8
Motor type 马达类型	Capacitor Motor Insulation Class:E 4P Motor 电容驱动马达, 绝缘等级: E, 4极马达
Fan type 扇叶类型	Centrifugal fan 离心扇叶
Ambient temperature 环境温度	-10°C ~ +40°C
Insulation resistant 绝缘电阻	>10MΩ
Electric strength 电气强度	1min AC 1500V
Duct size 管道尺寸	Φ100



### Remark:

#### 备注:

- The air volume, electric characteristic and noise are specified at the static pressure of 0 Pa.  
风量、电气特性、噪音值等数据是在静压为0Pa状态下的数值。
- The values of noise level is A weighted average sound pressure level, the mean value are measured by our company, within +3 and -7 to tolerance.  
噪音值是A计权平均声压级, 是本公司测试结果的中心值, 有+3, -7的公差范围。
- The values of noise level are measured at 1m away from the left side/right side/bottom of the sample respectively and calculate the average value.  
噪音值的测试方法为噪音测试室内, 距样品左侧、右侧、下方各1米出测定其噪音值, 然后取平均值。
- The values of air volume are the mid-points of results measures by our company, within ±10% tolerance.  
风量是本公司测试结果的中心值, 有±10%的公差范围。
- Static pressure is the central value of the company's test results when the air volume is 0, with a lower deviation of -10%.  
静压是风量为0时本公司测试结果的中心值, 下偏差为-10%。

Product		Page	2/2
CMV/F		Model	
FV-24CU8W		FV-24CU8W	
Make Date	20160623	Scale	Drawing No. CMV16025
Modification Date			Modification No.
Panasonic Ecology Systems Guangdong Co., Ltd.			