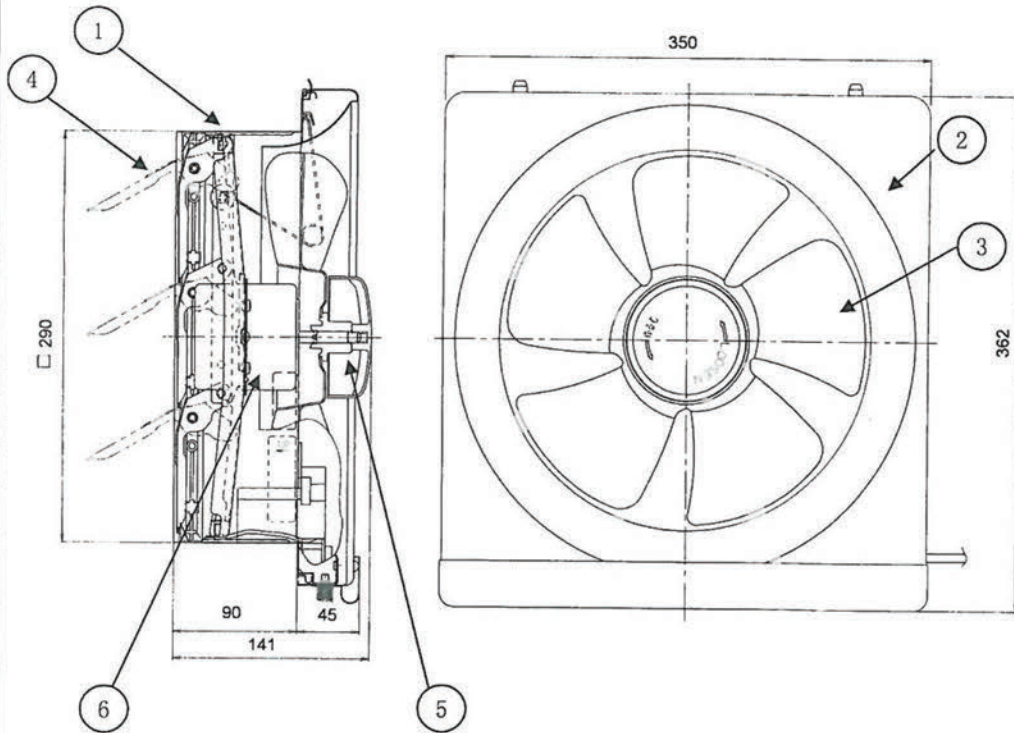


■ DIMENSIONS

unit:mm



Notes:

1. The values of power consumption , air volume and noise are specified at the static pressure of 0 Pa.
2. The value of air volume is the mean value which is measured by our company.
3. The value of noise level is measured at 1m apart from the left, the right and the front of product, then get the average of three values.
4. The value of noise level is A weight average sound pressure level, the mean value is measured by our company.
5. This fan should be installed so that the blade are more than 2.3m above from the floor.
6. The dimension will have tolearance in actually assembly.

■ MAIN PARTS LIST

NO.	Part Name	Material
1	Frame	Metal
2	Orifice	Metal
3	Blade	Metal
4	Shutter	Metal
5	Spinner	Metal
6	Motor	—

■ SPECIFICATIONS

Power rating		220V~ 50Hz	230V~ 50Hz	240V~ 50Hz	220V~ 60Hz
Air Volume	m ³ /min ±10%	14.3	14.4	14.8	15.9
Power Consumption W	±20%	25.0	27.3	29.5	30.5
Noise	dB +3 -7	39.1	39.3	39.7	40.6
Net Weight	Kg	3.8			
Motor Type	Capacitor start and run induction motor				
Blade Type	Propeller fan				
Ambient Temperature	-10℃ to 40℃				
IP code	IPX4(outside)				

This product is complied with IEC60335-1 & IEC 60335-2-80

Product		Model	
Wall Mount Ventilating Fan		FV-25AS2	
Make Date	2010.2.23	Drawing NO.	VF100205
Modification	—	Modification NO.	—
Panasonic Ecology Systems Guangdong Co.,Ltd.			