

# Wall Mount Ventilating Fan Specifications

Model: 25AUF1 / 25AUF1 07 / 25AUF1 08

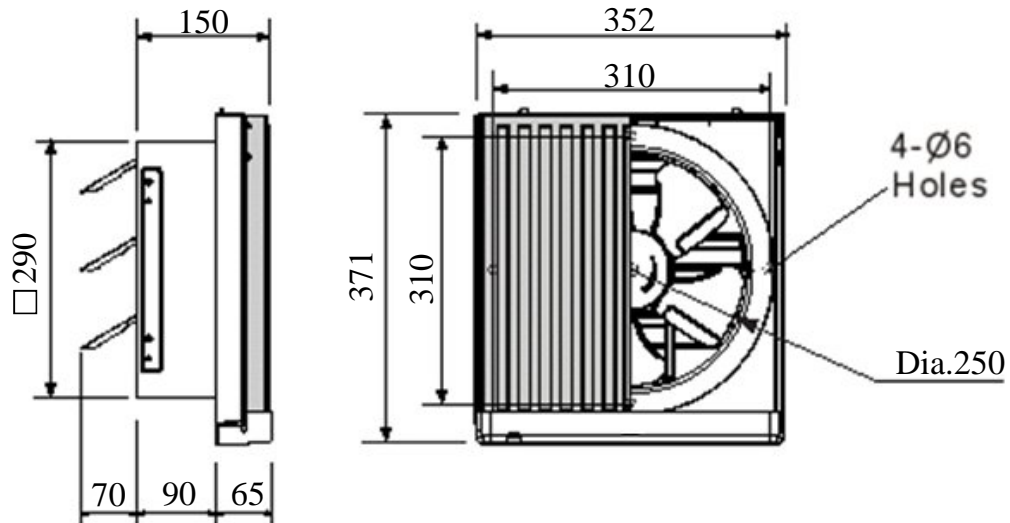
## ■ Specifications

		220V 50Hz	230V 50Hz	240V 50Hz	220V 60Hz	230V 60Hz
		Exhaust	Exhaust	Exhaust	Exhaust	Exhaust
Air Volume	m <sup>3</sup> /h ±10%	835	790	835	820	840
Power Consumption	W ±20%	34	31	34	34	36
Ampere	A ±20%	0.16	0.14	0.14	0.15	0.16
Noise	dB (A) +3/-7	42	41	42	42	43
*Rotation Speed	min <sup>-1</sup>	1100	1050	1100	1060	1110
*Power Factor	%	98	99	98	98	98

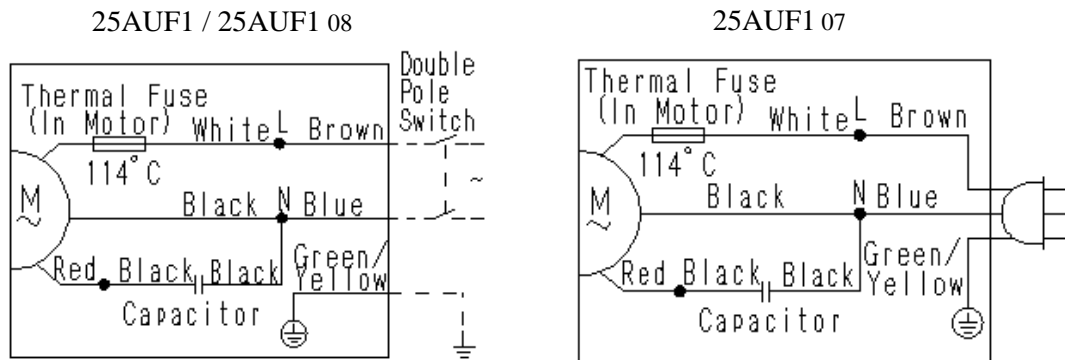
\*Rotation Speed data and Power Factor data are reference only.

1. Power Rating ----- 220-240V~ 50Hz / 220-230V~ 60Hz
2. Motor Type ----- Capacitor start and run induction motor
3. Blade Type ----- 250mm dia. propeller fan
4. Ambient Temperature ----- -10 to 40 deg.C
5. Insulation Resistance ----- More than 10meg ohm
6. Electrical Strength ----- 1500V~ 1 minute
7. Net Weight ----- 2.8 Kg
8. Insulation Class ----- Class E
9. Type of insulation ----- Functional insulation  
(Required from SASO 112)

## ■ Drawing with dimensions (Unit:mm)



## ■ Circuit diagram



# Wall Mount Ventilating Fan Specifications

Model: 25AUF1 / 25AUF1 12

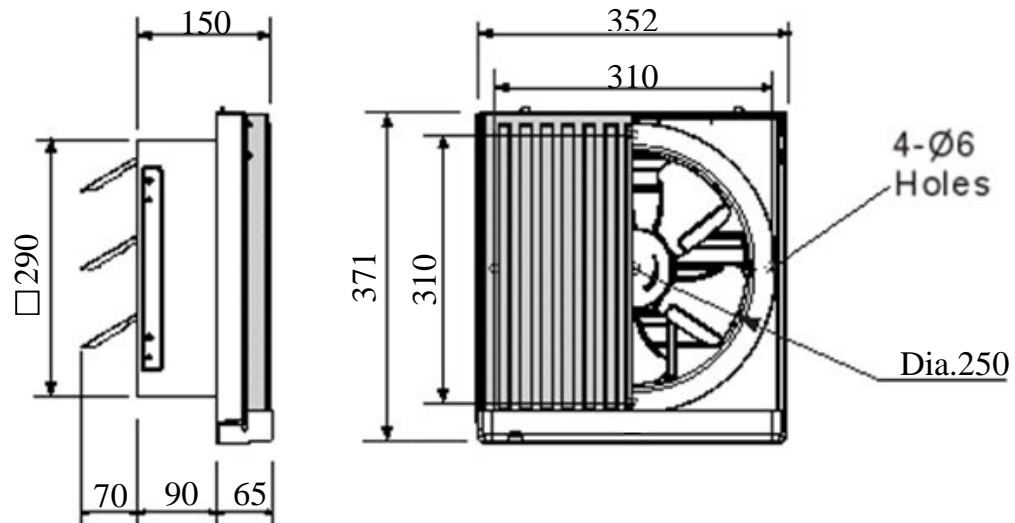
## ■ Specifications

			110V 60Hz	120V 60Hz	127V 60Hz
			Exhaust	Exhaust	Exhaust
Air Volume	m <sup>3</sup> /h	±10%	720	780	835
Power Consumption	W	±20%	27	32	36
Ampere	A	±20%	0.26	0.28	0.30
Noise	dB (A)	+3/-7	38	41	42
*Rotation Speed	min <sup>-1</sup>		950	1030	1100
*Power Factor	%		95	95	95

\*Rotation Speed data and Power Factor data are reference only.

1. Power Rating ----- 110-127V~ 60Hz
2. Motor Type ----- Capacitor start and run induction motor
3. Blade Type ----- 250mm dia. propeller fan
4. Ambient Temperature ----- -10 to 40 deg.C
5. Insulation Resistance ----- More than 10meg ohm
6. Electrical Strength ----- 1500V~ 1 minute
7. Net Weight ----- 2.8 Kg
8. Insulation Class ----- Class E
9. Type of insulation ----- Functional insulation  
(Required from SASO 112)

## ■ Drawing with dimensions (Unit:mm)



## ■ Circuit diagram

