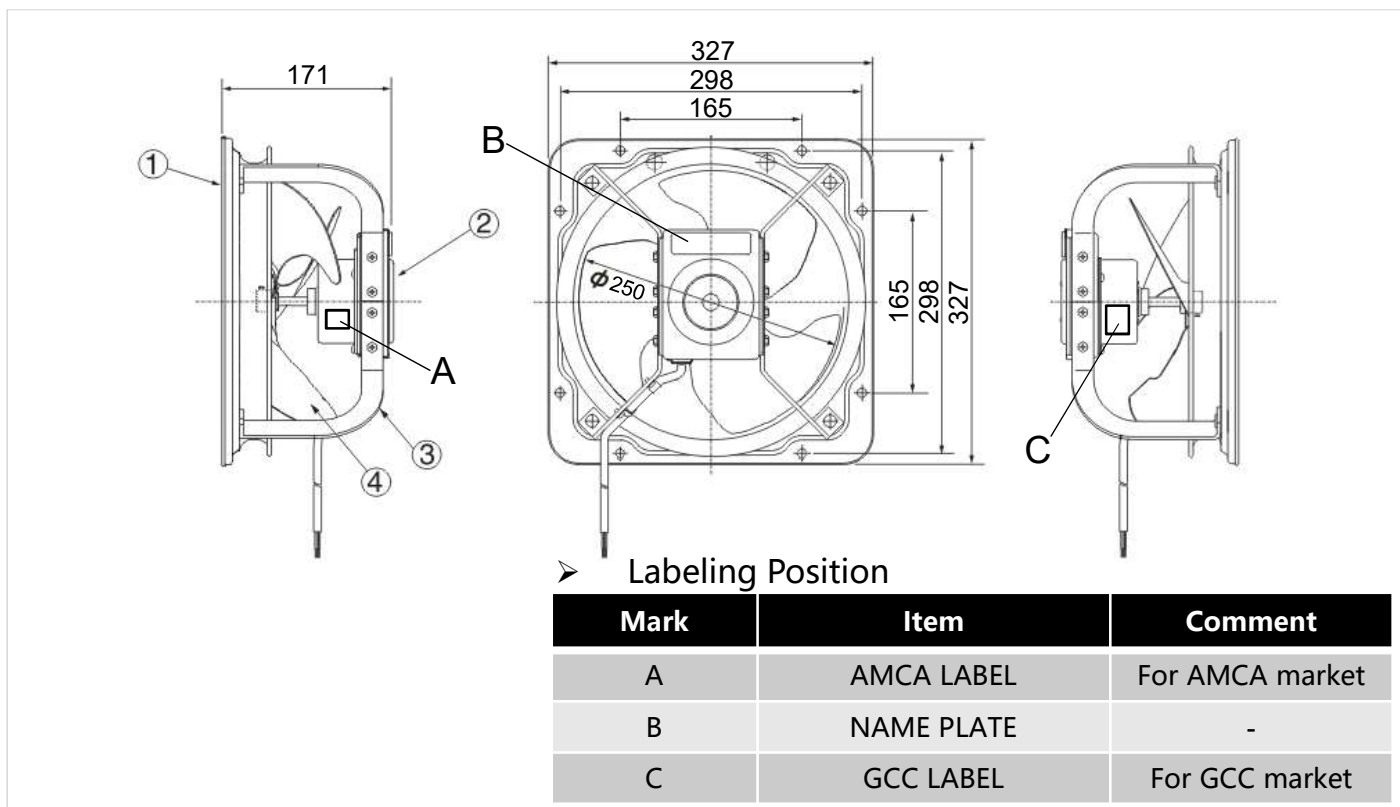


### External Dimensions



### Component Parts List

#### ➤ Main Parts List

Mark	Part Name	Material	Quantity
①	Frame	Metal	1
②	Motor	Metal	-
③	Motor Support	Metal	4
④	Blade	Metal	1

#### ➤ Accessory List

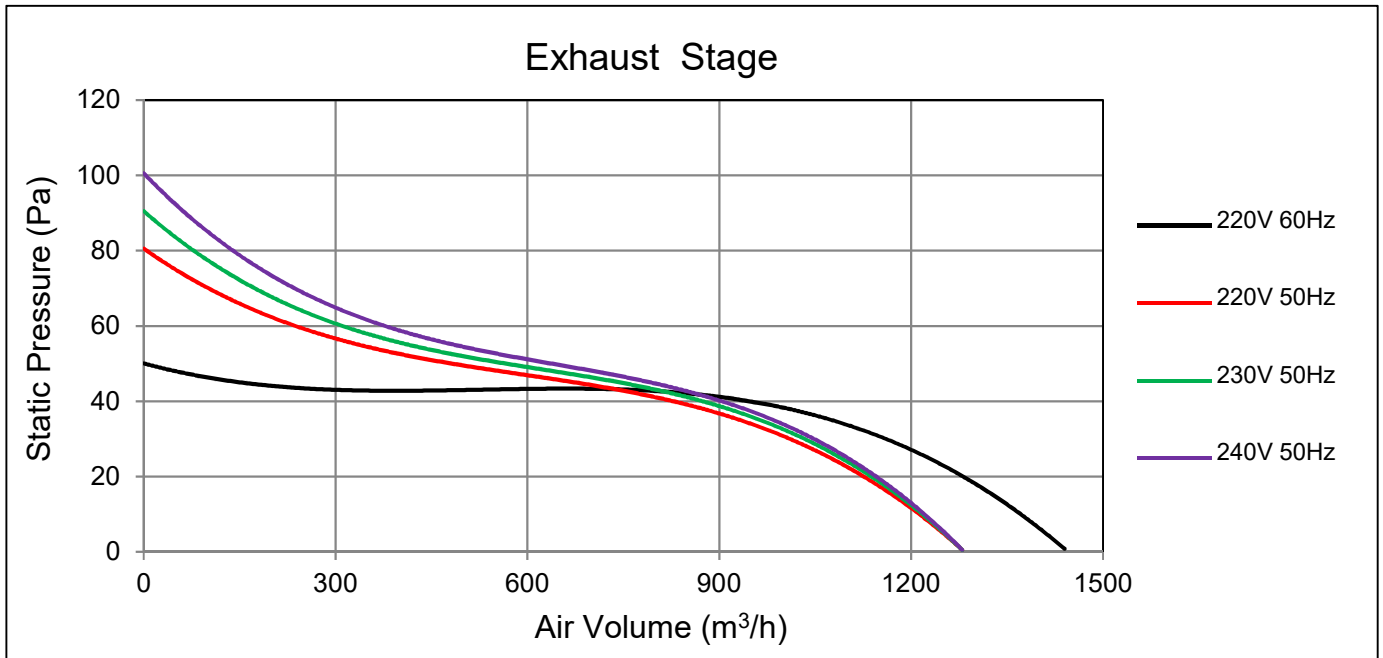
Item	Quantity	comment
Op. instruction	1	-
Assembly Inst.	1	-
Leaflet	1	For GCC market

### Authentication Information

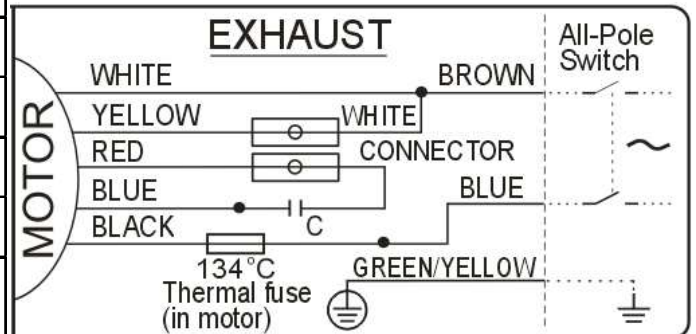
➤ 认证种类 (测试机构等) IEC(TUV)

Product		Page		1/3
Ventilating Fan		Model		
		FV-25GS5		
Make Date	2016.12.16	Scale	Drawing No.	HPVF16001
Modification Date			Modification No.	
Panasonic Ecology Systems Guangdong Co., Ltd.				

### ■ Specification Data



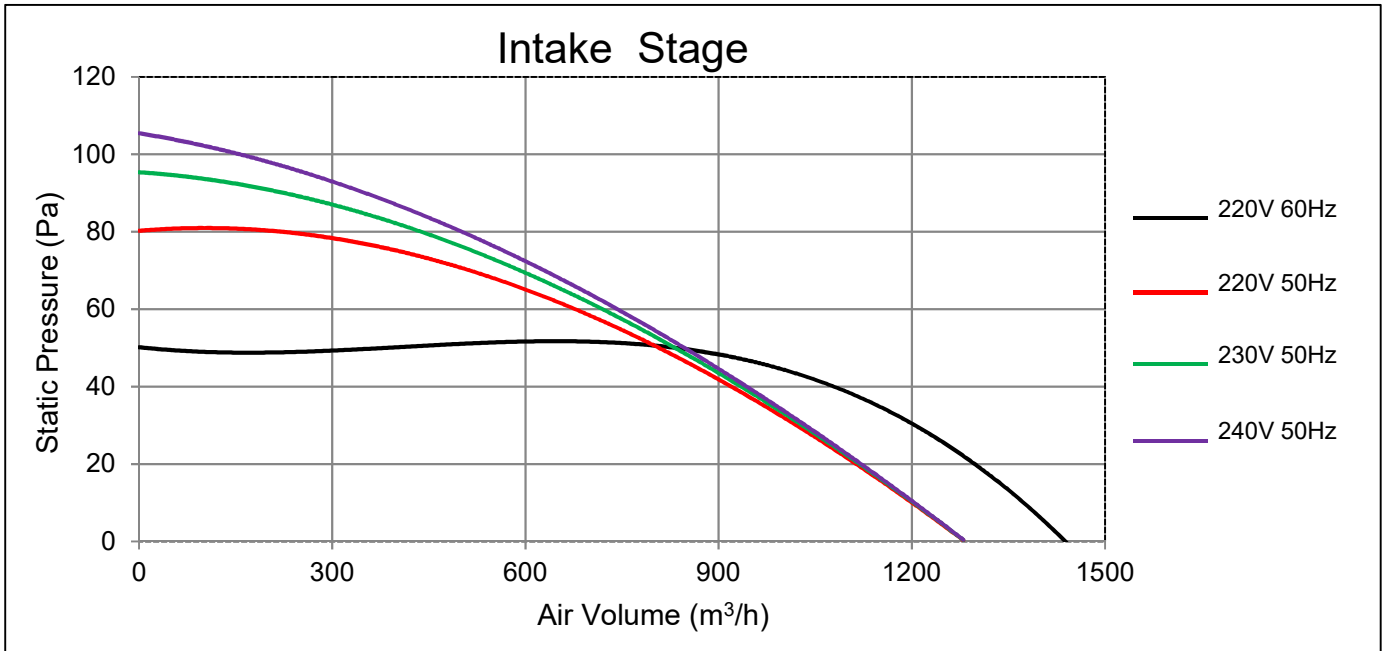
MODEL	FV-25GS5			
	Exhaust Stage			
Rated Voltage (V)	220	220	230	240
Rated Frequency (Hz)	60	50	50	50
Power Consumption (W)	57	41	43	44
Air Volume (m³/h) ±10%	1440	1280	1280	1280
Static Pressure (Pa)	50	80	90	100
Noise (dB) +3dB以下	46	44	44	44
Net Weight (Kg)	4.4			
Motor Type	AC Motor (Class E)			
Operating Temperature	-10°C~40°C			
Insulation Resistance	>10MΩ			
IP Code	IPX4 (Outside)			
Electric Strength	AC1500V/1 minute			
Ventilation Hole Size	275mm*275mm			



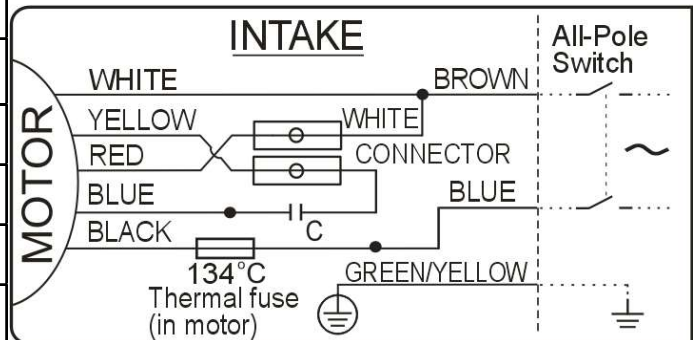
- Air volume, electric specification and noise value are measured when static pressure is 0 Pa.
- Noise value is the weighted sound pressure grade A, which is the central value measured by this company, its tolerance range is from +3 to -7. The method to measure is as follows: in an anechoic chamber, measure noise value first 1m away from the left, right and centre of the sample, then get the averaged value.
- Air volume is the central value measured by this company with ±10% of tolerance range.

Page		2/3	
Product		Model	
Ventilating Fan		FV-25GS5	
Make Date	2016.12.16	Scale	Drawing No. HPVVF16001
Modification Date			Modification No.
Panasonic Ecology Systems Guangdong Co., Ltd.			

## ■ Specification Data



MODEL	FV-25GS5			
	Intake Stage			
Rated Voltage (V)	220	220	230	240
Rated Frequency (Hz)	60	50	50	50
Power Consumption (W)	59	42	44	46
Air Volume (m³/h) ± 10%	1440	1280	1280	1280
Static Pressure (Pa)	50	80	95	105
Noise (dB) +3dB以下	51	47	47	47
Net Weight (Kg)	4.4			
Motor Type	AC Motor (Class E)			
Operating Temperature	-10°C ~ 40°C			
Insulation Resistance	>10MΩ			
IP Code	IPX4 (Outside)			
Electric Strength	AC1500V/1 minute			
Ventilation Hole Size	275mm*275mm			



- Air volume, electric specification and noise value are measured when static pressure is 0 Pa.
- Noise value is the weighted sound pressure grade A, which is the central value measured by this company, its tolerance range is from +3 to -7. The method to measure is as follows: in an anechoic chamber, measure noise value first 1m away from the left, right and centre of the sample, then get the averaged value.
- Air volume is the central value measured by this company with ±10% of tolerance range.

Product		Page	3/3
Ventilating Fan		Model	
FV-25GS5		Make Date	2016.12.16
Scale		Drawing No.	HPVF16001
Modification Date		Modification No.	
Panasonic Ecology Systems Guangdong Co., Ltd.			