

# Ventilating Fan Specifications

Model : FV-25RG7T

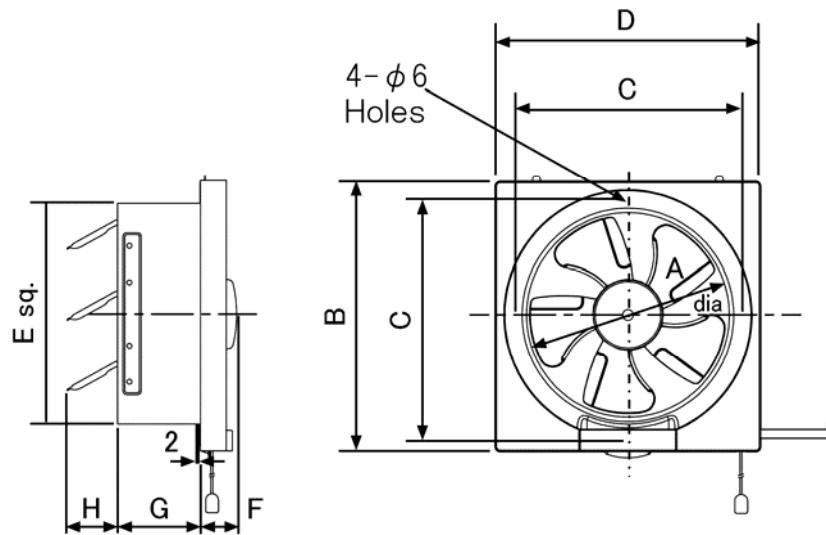
## Specifications

			110V 50Hz		110V 60Hz		127V 60Hz	
			Exhaust	Intake	Exhaust	Intake	Exhaust	Intake
Air Volume	m <sup>3</sup> /h	±10%	700	420	735	450	865	540
Power Consumption	W	±12%	23.0	16.0	23.0	16.0	31.0	20.0
Ampere	A	±12%	0.24	0.15	0.22	0.15	0.26	0.17
Noise	dB (A)	+3/-7	35.5	35.0	36.5	36.0	41.0	43.0
*Rotation Speed	min <sup>-1</sup>		890	745	940	710	1090	850

\*Rotation Speed data are reference only.

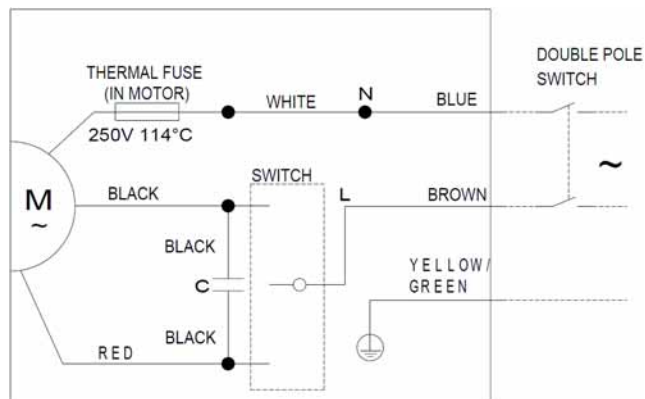
1. Power Rating ----- 110V~ 50Hz / 110-127V~ 60Hz
2. Motor Type ----- Capacitor start and run induction motor
3. Blade Type ----- 250mm dia. propeller fan
4. Ambient Temperature ----- -10 to 40 deg.C
5. Insulation Resistance ----- More than 10meg ohm
6. Electrical Strength ----- 1500V~ 1 minute
7. Net Weight ----- 2.4 Kg
8. Insulation Class ----- Class E

## Drawing with dimensions (Unit: mm)



Model	A	B	C	D	E	F	G	H
FV-25RG7T	250	356	310	352	290	38	90	63

## Circuit diagram



# Ventilating Fan Specifications

Model : FV-25RG7T

## Specifications

			220V 50Hz		230V 50Hz		240V 50Hz	
			Exhaust	Intake	Exhaust	Intake	Exhaust	Intake
Air Volume	m <sup>3</sup> /h	±10%	945	600	950	610	978	640
Power Consumption	W	±12%	27.0	21.0	29.0	23.0	32.0	25.0
Ampere	A	±12%	0.13	0.10	0.14	0.11	0.15	0.11
Noise	dB (A)	+3/-7	38.0	45.0	42.0	46.0	42.0	47.0
*Rotation Speed	min <sup>-1</sup>		1090	1010	1120	1060	1160	1110

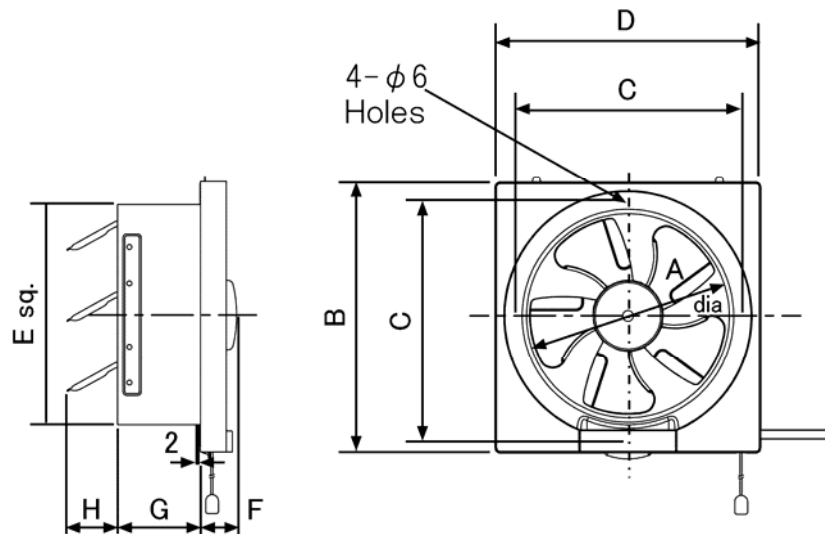
  

			220V 60Hz		230V 60Hz	
			Exhaust	Intake	Exhaust	Intake
Air Volume	m <sup>3</sup> /h	±10%	950	560	950	560
Power Consumption	W	±12%	31.0	23.0	34.0	24.0
Ampere	A	±12%	0.15	0.11	0.15	0.11
Noise	dB (A)	+3/-7	39.0	44.0	42.0	46.0
*Rotation Speed	min <sup>-1</sup>		1110	970	1180	1020

\*Rotation Speed data are reference only.

1. Power Rating ----- 220-240V~ 50Hz / 220-230V~ 60Hz
2. Motor Type ----- Capacitor start and run induction motor
3. Blade Type ----- 250mm dia. propeller fan
4. Ambient Temperature ----- -10 to 40 deg.C
5. Insulation Resistance ----- More than 10meg ohm
6. Electrical Strength ----- 1500V~ 1 minute
7. Net Weight ----- 2.4 Kg
8. Insulation Class ----- Class E

## Drawing with dimensions (Unit: mm)



Model	A	B	C	D	E	F	G	H
FV-25RG7T	250	356	310	352	290	38	90	63

## Circuit diagram

