

# Ventilating Fan Specifications

Model : FV-25RL7T

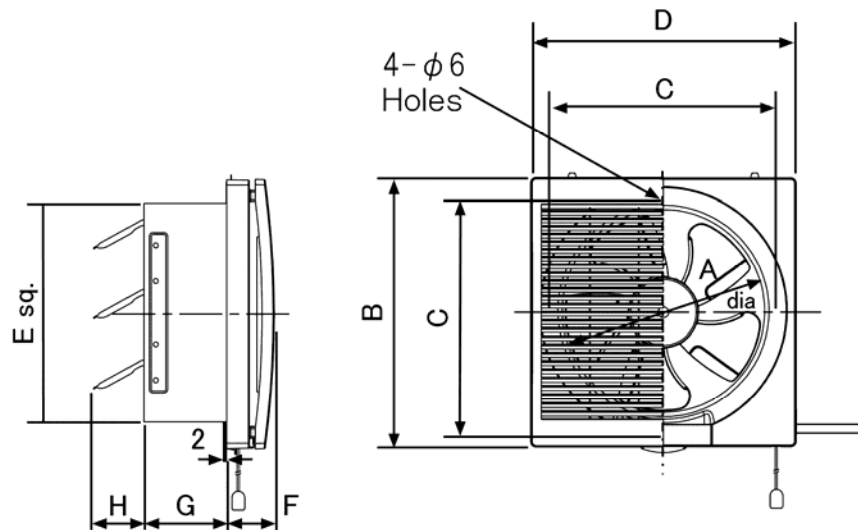
## Specifications

			110V 50Hz		110V 60Hz		127V 60Hz	
			Exhaust	Intake	Exhaust	Intake	Exhaust	Intake
Air Volume	m <sup>3</sup> /h	±10%	605	400	630	400	740	505
Power Consumption	W	±12%	23.0	16.0	23.0	16.0	31.0	20.0
Ampere	A	±12%	0.24	0.15	0.22	0.15	0.26	0.17
Noise	dB (A)	+3/-7	36.5	35.5	38.0	36.5	44.0	43.0
*Rotation Speed	min <sup>-1</sup>		850	755	860	750	1000	890

\*Rotation Speed data are reference only.

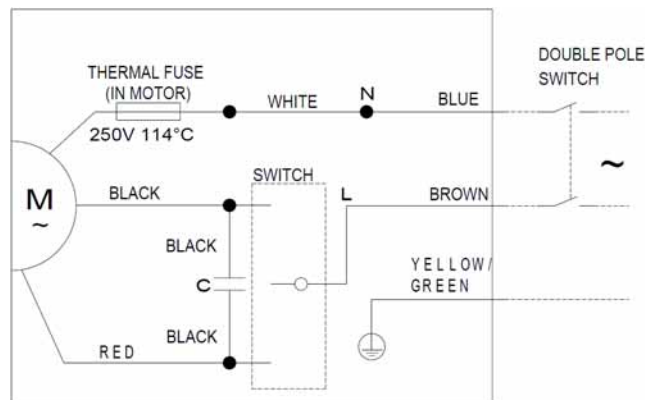
1. Power Rating ----- 110V~ 50Hz / 110-127V~ 60Hz
2. Motor Type ----- Capacitor start and run induction motor
3. Blade Type ----- 250mm dia. propeller fan
4. Ambient Temperature ----- -10 to 40 deg.C
5. Insulation Resistance ----- More than 10meg ohm
6. Electrical Strength ----- 1500V~ 1 minute
7. Net Weight ----- 2.7 Kg
8. Insulation Class ----- Class E

## Drawing with dimensions (Unit: mm)



Model	A	B	C	D	E	F	G	H
FV-25RL7T	250	356	310	352	290	63	90	63

## Circuit diagram



# Ventilating Fan Specifications

Model : FV-25RL7T

## Specifications

			220V 50Hz		230V 50Hz		240V 50Hz	
			Exhaust	Intake	Exhaust	Intake	Exhaust	Intake
Air Volume	m <sup>3</sup> /h	±10%	840	580	840	600	858	620
Power Consumption	W	±12%	29.0	21.0	32.0	23.0	34.0	25.0
Ampere	A	±12%	0.14	0.10	0.14	0.10	0.15	0.11
Noise	dB (A)	+3/-7	43.0	45.0	43.5	47.0	44.0	47.0
*Rotation Speed	min <sup>-1</sup>		1100	1035	1097	1070	1150	1110

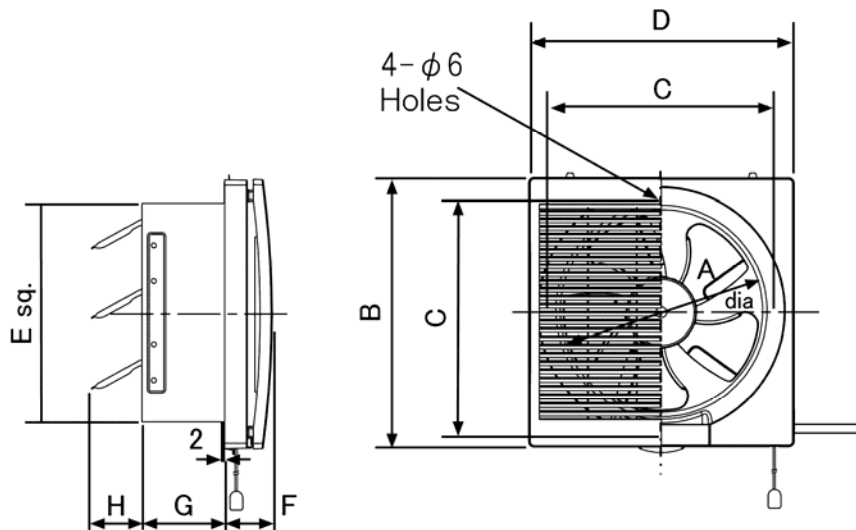
  

			220V 60Hz		230V 60Hz	
			Exhaust	Intake	Exhaust	Intake
Air Volume	m <sup>3</sup> /h	±10%	835	560	860	580
Power Consumption	W	±12%	33.0	23.5	35.5	26.0
Ampere	A	±12%	0.16	0.11	0.16	0.11
Noise	dB (A)	+3/-7	43.0	44.5	46.0	49.0
*Rotation Speed	min <sup>-1</sup>		1100	1035	1140	1080

\*Rotation Speed data are reference only.

1. Power Rating ----- 220-240V~ 50Hz / 220-230V~ 60Hz
2. Motor Type ----- Capacitor start and run induction motor
3. Blade Type ----- 250mm dia. propeller fan
4. Ambient Temperature ----- -10 to 40 deg.C
5. Insulation Resistance ----- More than 10meg ohm
6. Electrical Strength ----- 1500V~ 1 minute
7. Net Weight ----- 2.7 Kg
8. Insulation Class ----- Class E

## Drawing with dimensions (Unit: mm)



Model	A	B	C	D	E	F	G	H
FV-25RL7T	250	356	310	352	290	63	90	63

## Circuit diagram

