

Ventilating Fan Specifications

Model : FV-30AU9T

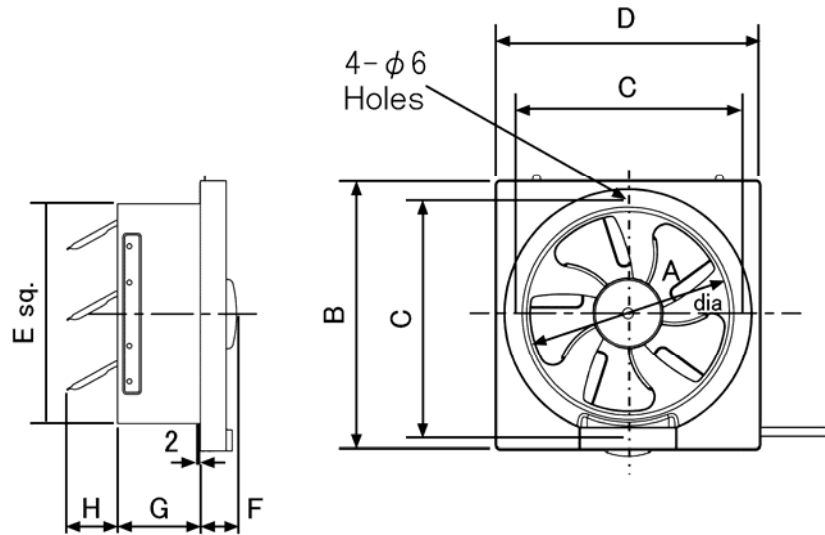
Specifications

			110V 50Hz	110V 60Hz	127V 60Hz
			Exhaust	Exhaust	Exhaust
Air Volume	m ³ /h	±10%	900	950	1200
Power Consumption	W	±12%	24.0	26.0	34.5
Ampere	A	±12%	0.23	0.24	0.28
Noise	dB (A)	+3/-7	35.5	37.5	41.5
*Rotation Speed	min ⁻¹		750	800	1000

*Rotation Speed data are reference only.

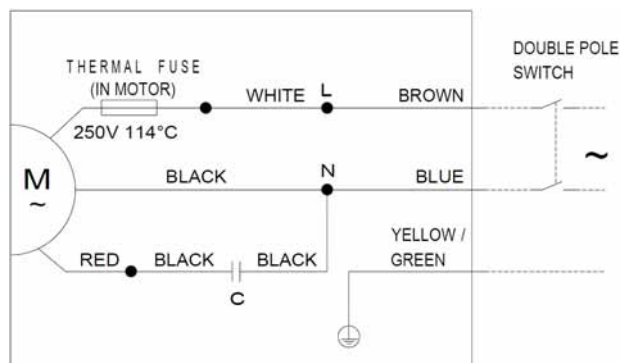
1. Power Rating ----- 110V~ 50Hz / 110-127V~ 60Hz
2. Motor Type ----- Capacitor start and run induction motor
3. Blade Type ----- 300mm dia. propeller fan
4. Ambient Temperature ----- -10 to 40 deg.C
5. Insulation Resistance ----- More than 10meg ohm
6. Electrical Strength ----- 1500V~ 1 minute
7. Net Weight ----- 2.7 Kg
8. Insulation Class ----- Class E

Drawing with dimensions (Unit: mm)



Model	A	B	C	D	E	F	G	H
FV-30AU9T	300	406	360	402	340	38	90	78

Circuit diagram



Ventilating Fan Specifications

Model : FV-30AU9T

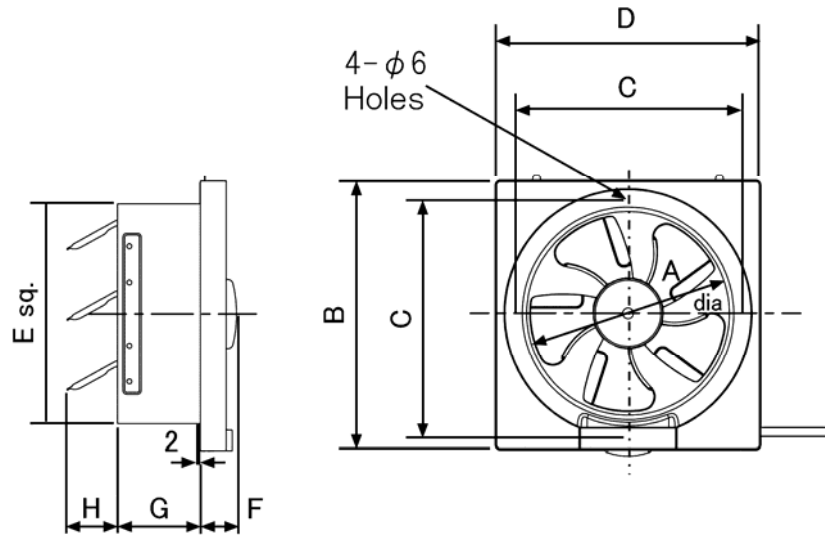
Specifications

			220V 50Hz	230V 50Hz	240V 50Hz	220V 60Hz	230V 60Hz
			Exhaust	Exhaust	Exhaust	Exhaust	Exhaust
Air Volume	m ³ /h	±10%	1200	1206	1250	1140	1254
Power Consumption	W	±12%	31.0	35.0	39.0	38.0	42.0
Ampere	A	±12%	0.15	0.16	0.17	0.19	0.19
Noise	dB (A)	+3/-7	39.0	40.0	42.0	38.0	42.1
*Rotation Speed	min ⁻¹		970	980	1010	930	1043

*Rotation Speed data are reference only.

1. Power Rating ----- 220-240V~ 50Hz / 220-230V~ 60Hz
2. Motor Type ----- Capacitor start and run induction motor
3. Blade Type ----- 300mm dia. propeller fan
4. Ambient Temperature ----- -10 to 40 deg.C
5. Insulation Resistance ----- More than 10meg ohm
6. Electrical Strength ----- 1500V~ 1 minute
7. Net Weight ----- 2.7 Kg
8. Insulation Class ----- Class E

Drawing with dimensions (Unit: mm)



Model	A	B	C	D	E	F	G	H
FV-30AU9T	300	406	360	402	340	38	90	78

Circuit diagram

