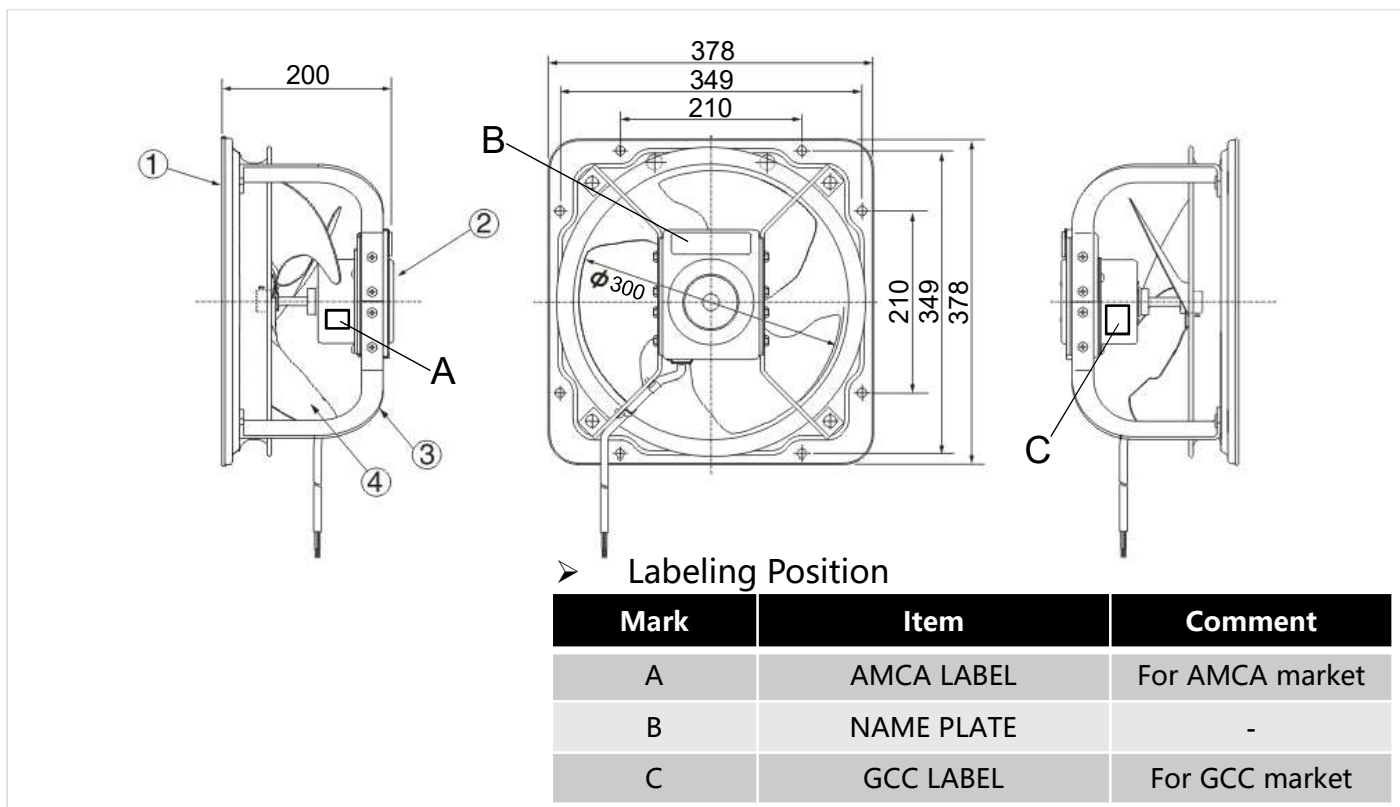


External Dimensions



Component Parts List

➤ Main Parts List

Mark	Part Name	Material	Quantity
①	Frame	Metal	1
②	Motor	Metal	-
③	Motor Support	Metal	4
④	Blade	Metal	1

➤ Accessory List

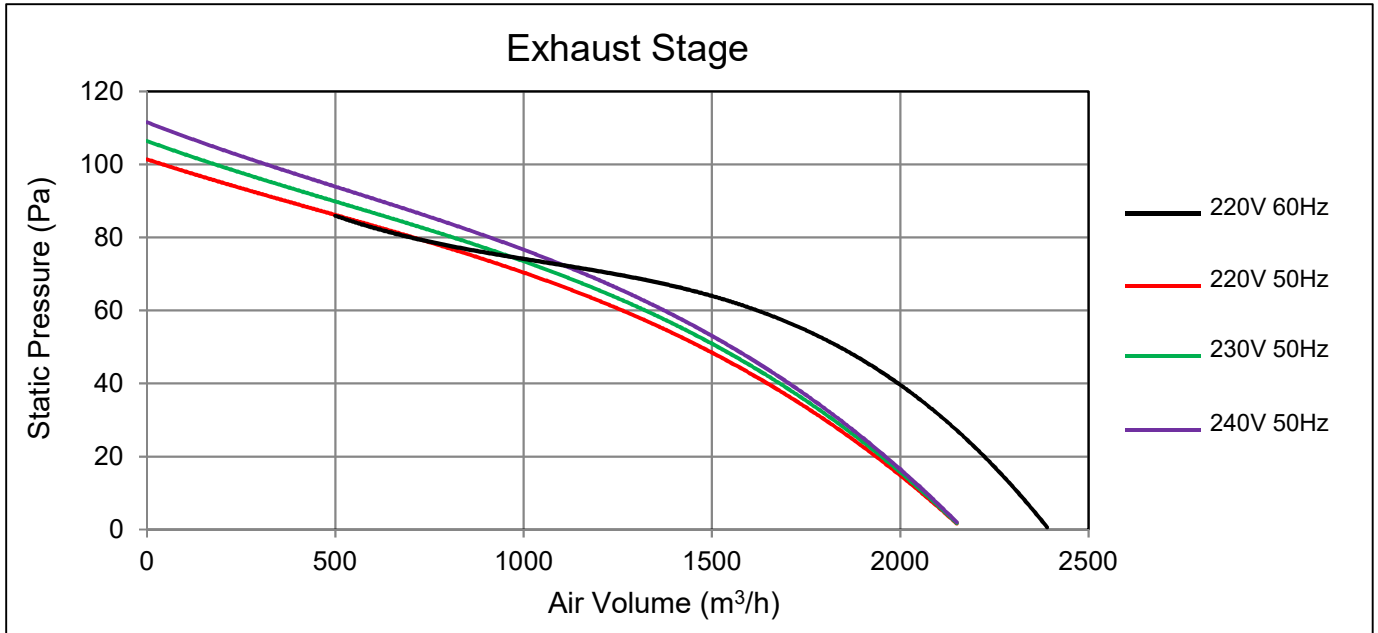
Item	Quantity	comment
Op. instruction	1	-
Assembly Inst.	1	-
Leaflet	1	For GCC market

Authentication Information

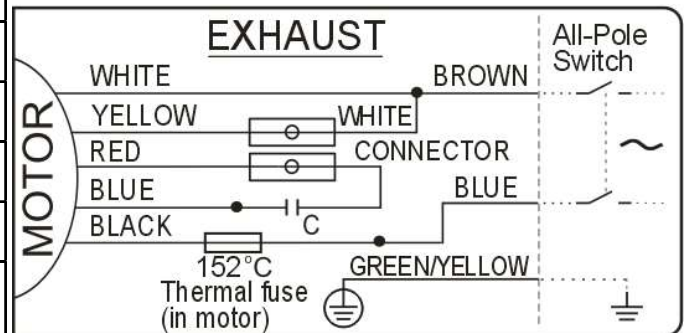
➤ 认证种类 (测试机构等) IEC(TUV)

Product		Page		1/3	
Ventilating Fan		Model			
		FV-30GS5			
Make Date	2016.12.16	Scale	Drawing No.	HPVF16002	
Modification Date			Modification No.		
Panasonic Ecology Systems Guangdong Co., Ltd.					

■ Specification Data



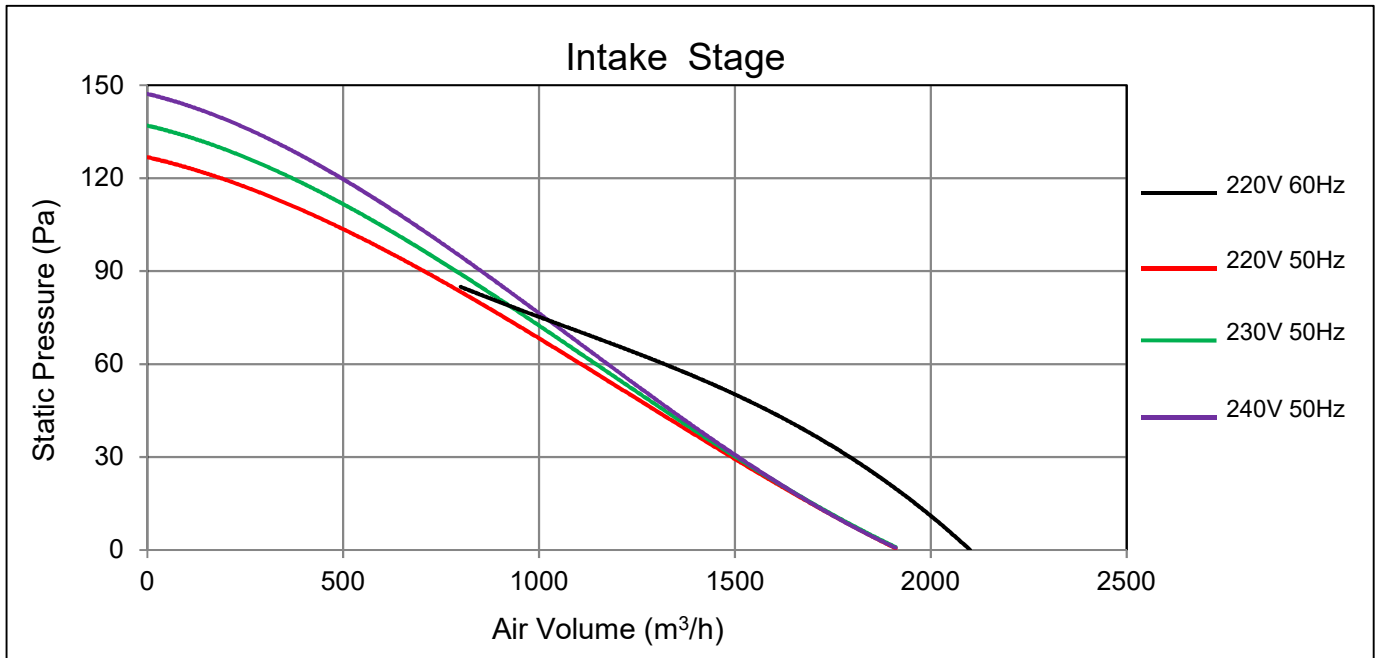
MODEL	FV-30GS5			
	Exhaust Stage			
Rated Voltage (V)	220	220	230	240
Rated Frequency (Hz)	60	50	50	50
Power Consumption (W)	119	87	92	98
Air Volume (m³/h) ±10%	2390	2150	2150	2150
Static Pressure (Pa)	85	100	105	110
Noise (dB) +3dB以下	51	49	49	50
Net Weight (Kg)	6.1			
Motor Type	AC Motor (Class E)			
Operating Temperature	-10°C~40°C			
Insulation Resistance	>10MΩ			
IP Code	IPX4 (Outside)			
Electric Strength	AC1500V/1 minute			
Ventilation Hole Size	325mm*325mm			



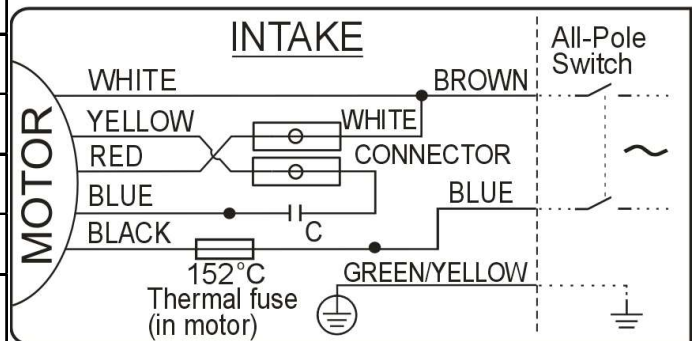
- Air volume, electric specification and noise value are measured when static pressure is 0 Pa.
- Noise value is the weighted sound pressure grade A, which is the central value measured by this company, its tolerance range is from +3 to -7. The method to measure is as follows: in an anechoic chamber, measure noise value first 1m away from the left, right and centre of the sample, then get the averaged value.
- Air volume is the central value measured by this company with ±10% of tolerance range.

Product		Page	2/3
Ventilating Fan		Model	
FV-30GS5		FV-30GS5	
Make Date	2016.12.16	Scale	Drawing No. HPV16002
Modification Date			Modification No.
Panasonic Ecology Systems Guangdong Co., Ltd.			

■ Specification Data



MODEL	FV-30GS5			
	Intake Stage			
Rated Voltage (V)	220	220	230	240
Rated Frequency (Hz)	60	50	50	50
Power Consumption (W)	123	95	100	105
Air Volume (m³/h) ±10%	2100	1910	1910	1910
Static Pressure (Pa)	85	125	135	145
Noise (dB) +3dB以下	57	55	55	55
Net Weight (Kg)	6.1			
Motor Type	AC Motor (Class E)			
Operating Temperature	-10°C~40°C			
Insulation Resistance	>10MΩ			
IP Code	IPX4 (Outside)			
Electric Strength	AC1500V/1 minute			
Ventilation Hole Size	325mm*325mm			



- Air volume, electric specification and noise value are measured when static pressure is 0 Pa.
- Noise value is the weighted sound pressure grade A, which is the central value measured by this company, its tolerance range is from +3 to -7. The method to measure is as follows: in an anechoic chamber, measure noise value first 1m away from the left, right and centre of the sample, then get the averaged value.
- Air volume is the central value measured by this company with ±10% of tolerance range.

Page		3/3	
Product		Model	
Ventilating Fan		FV-30GS5	
Make Date	2016.12.16	Scale	Drawing No. HPV16002
Modification Date			Modification No.
Panasonic Ecology Systems Guangdong Co., Ltd.			