

Ventilating Fan Specifications

Model: FV-30RL6T

Specifications

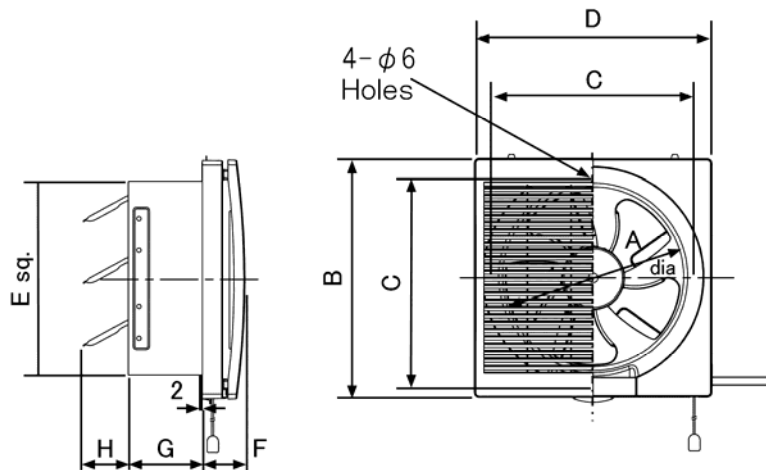
			220V 50Hz		230V 50Hz		240V 50Hz	
			Exhaust	Intake	Exhaust	Intake	Exhaust	Intake
Air Volume	m ³ /h	±10%	990	730	950	750	1065	810
Power Consumption	W	±12%	31.0	25.0	35.0	28.0	40.0	30.0
Ampere	A	±12%	0.15	0.12	0.16	0.12	0.17	0.13
Noise	dB (A)	+3/-7	44.0	43.0	44.0	45.0	46.0	46.0
*Rotation Speed	min ⁻¹		890	870	910	910	950	980

			220V 60Hz		230V 60Hz	
			Exhaust	Intake	Exhaust	Intake
Air Volume	m ³ /h	±10%	945	600	980	690
Power Consumption	W	±12%	38.0	26.0	40.0	27.0
Ampere	A	±12%	0.17	0.11	0.18	0.13
Noise	dB (A)	+3/-7	43.0	44.0	46.0	45.0
*Rotation Speed	min ⁻¹		880	770	940	820

*Rotation Speed data are reference only.

1. Power Rating ----- 220-240V~ 50Hz / 220-230V~ 60Hz
2. Motor Type ----- Capacitor start and run induction motor
3. Blade Type ----- 300mm dia. propeller fan
4. Ambient Temperature ----- -10 to 40 deg.C
5. Insulation Resistance ----- More than 10meg ohm
6. Electrical Strength ----- 1500V~ 1 minute
7. Net Weight ----- 3.1 Kg
8. Insulation Class ----- Class E

Drawing with dimensions (Unit:mm)



Model	A	B	C	D	E	F	G	H
FV-30RL6T	300	406	360	402	340	63	90	78

Circuit diagram

