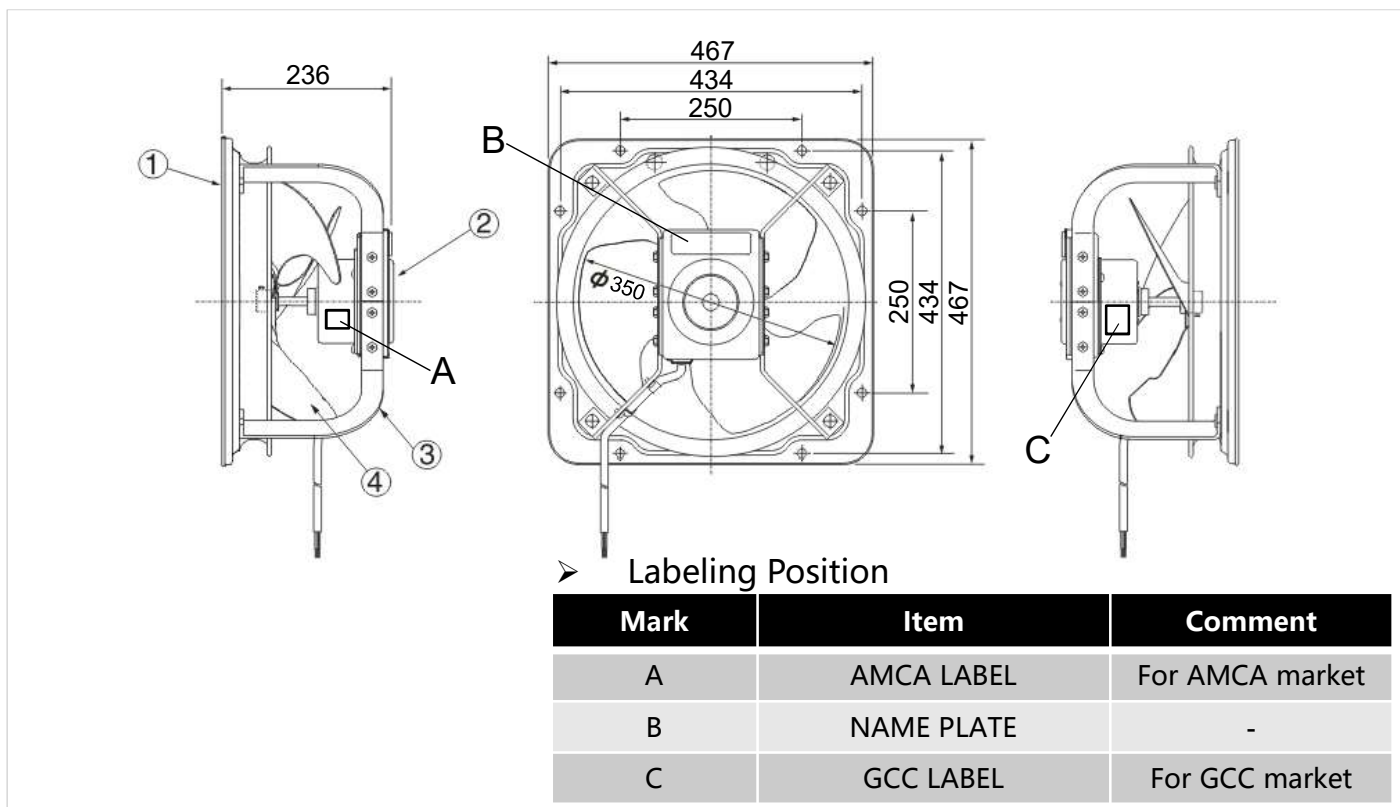


External Dimensions



Component Parts List

Main Parts List

Mark	Part Name	Material	Quantity
①	Frame	Metal	1
②	Motor	Metal	-
③	Motor Support	Metal	4
④	Blade	Metal	1

Accessory List

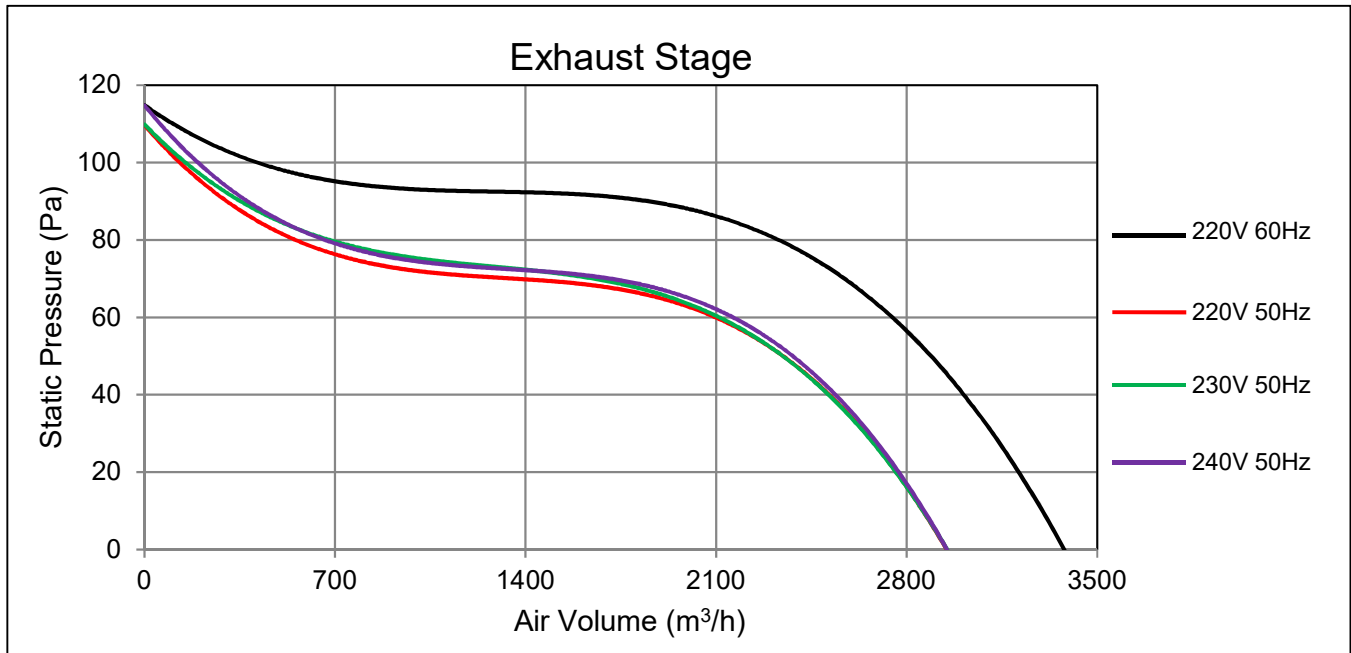
Item	Quantity	comment
Op. instruction	1	-
Assembly Inst.	1	-
Leaflet	1	For GCC market

Authentication Information

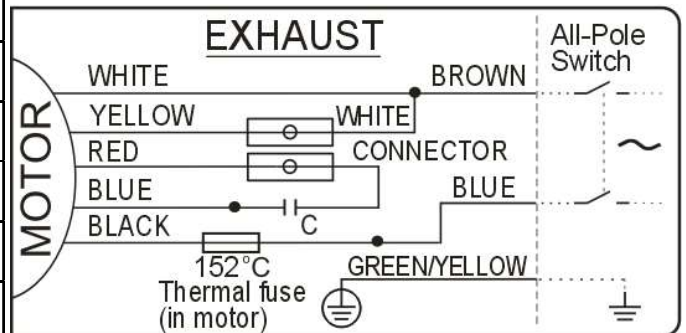
➤ 认证种类 (测试机构等) IEC(TUV)

Product		Page		1/3
Ventilating Fan		Model		
FV-35GS5		Make Date	2016.12.16	Scale
Modification Date		Drawing No.	HPVF16003	
		Modification No.		
Panasonic Ecology Systems Guangdong Co., Ltd.				

■ Specification Data



MODEL	FV-35GS5			
	Exhaust Stage			
Rated Voltage (V)	220	220	230	240
Rated Frequency (Hz)	60	50	50	50
Power Consumption (W)	161	113	118	122
Air Volume (m ³ /h) ±10%	3380	2950	2950	2950
Static Pressure (Pa)	115	110	110	115
Noise (dB) +3dB以下	54	51	51	51
Net Weight (Kg)	10.5			
Motor Type	AC Motor (Class E)			
Operating Temperature	-10°C~40°C			
Insulation Resistance	>10MΩ			
IP Code	IPX4 (Outside)			
Electric Strength	AC1500V/1 minute			
Ventilation Hole Size	395mm*395mm			



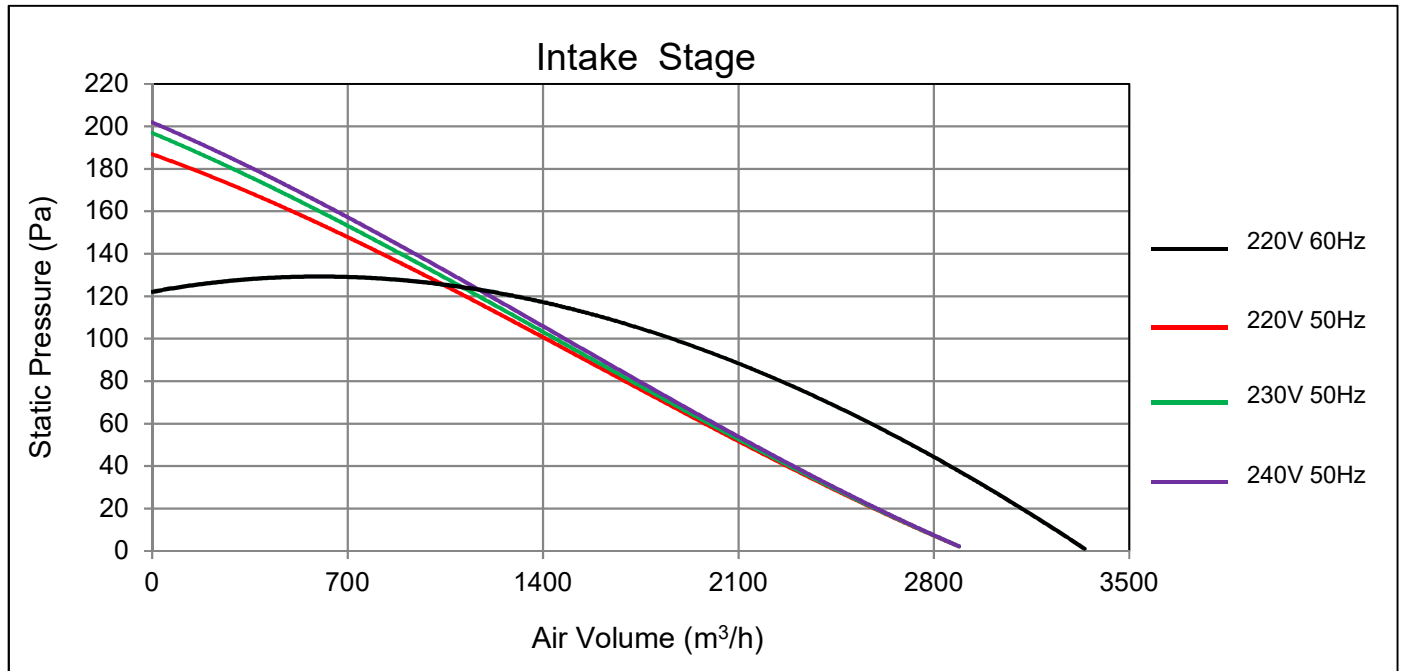
■ Air volume, electric specification and noise value are measured when static pressure is 0 Pa.

■ Noise value is the weighted sound pressure grade A, which is the central value measured by this company, its tolerance range is from +3 to -7. The method to measure is as follows: in an anechoic chamber, measure noise value first 1m away from the left, right and centre of the sample, then get the averaged value.

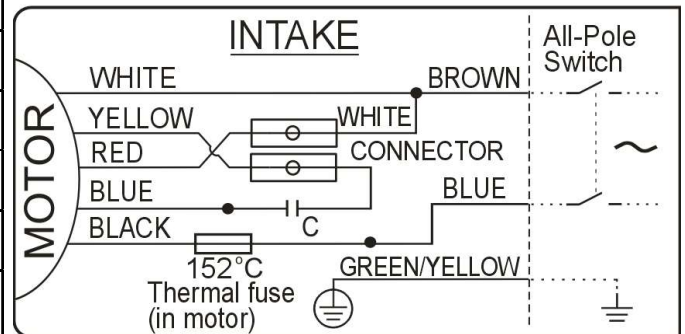
■ Air volume is the central value measured by this company with ±10% of tolerance range.

Product		Page		2/3	
Ventilating Fan		Model		FV-35GS5	
Make Date	2016.12.16	Scale	Drawing No.	HPVF16003	
Modification Date			Modification No.		
Panasonic Ecology Systems Guangdong Co., Ltd.					

■ Specification Data



MODEL	FV-35GS5			
	Intake Stage			
Rated Voltage (V)	220	220	230	240
Rated Frequency (Hz)	60	50	50	50
Power Consumption (W)	167	115	120	125
Air Volume (m³/h) ±10%	3340	2890	2890	2890
Static Pressure (Pa)	120	185	195	200
Noise (dB) +3dB以下	59	55	55	55
Net Weight (Kg)	10.5			
Motor Type	AC Motor (Class E)			
Operating Temperature	-10°C~40°C			
Insulation Resistance	>10MΩ			
IP Code	IPX4 (Outside)			
Electric Strength	AC1500V/1 minute			
Ventilation Hole Size	395mm*395mm			



- Air volume, electric specification and noise value are measured when static pressure is 0 Pa.
- Noise value is the weighted sound pressure grade A, which is the central value measured by this company, its tolerance range is from +3 to -7. The method to measure is as follows: in an anechoic chamber, measure noise value first 1m away from the left, right and centre of the sample, then get the averaged value.
- Air volume is the central value measured by this company with ±10% of tolerance range.

Product		Page	3/3
Ventilating Fan		Model	
FV-35GS5		Make Date	2016.12.16
Scale		Drawing No.	HPVF16003
Modification Date		Modification No.	
Panasonic Ecology Systems Guangdong Co., Ltd.			