

Ventilating Fan Specifications

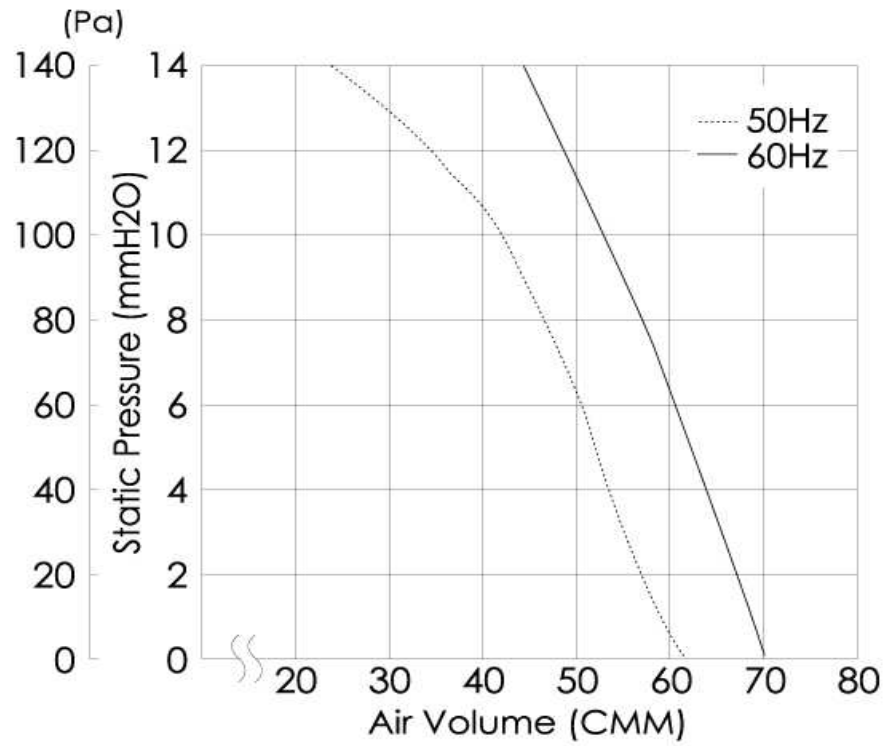
Model FV-40GS4

		110V		120V		127V		220V		230V		240V
		50Hz	60Hz	50Hz	60Hz	50Hz	60Hz	50Hz	60Hz	50Hz	60Hz	50Hz
Air Volume	CMH \pm 10%	3,800	4,440	3,810	4,460	3,810	4,460	3,780	4,410	3,790	4,440	3,800
Power Consumption	W \pm 15%	150	199	166	208	180	218	161	210	170	214	181
Current	A \pm 15%	2.20	2.00	2.40	2.00	2.60	2.00	1.10	1.00	1.20	1.00	1.20
Speed	R/M \pm 10%	1,440	1,690	1,450	1,710	1,450	1,720	1,450	1,710	1,450	1,720	1,460
Starting Current	A	9.4	8.4	10.1	9.2	10.0	9.6	5.3	4.7	5.5	4.9	5.6
Noise	dB (A)	46.5	51	46.5	51	46.5	51	46.5	51	46.5	51	46.5

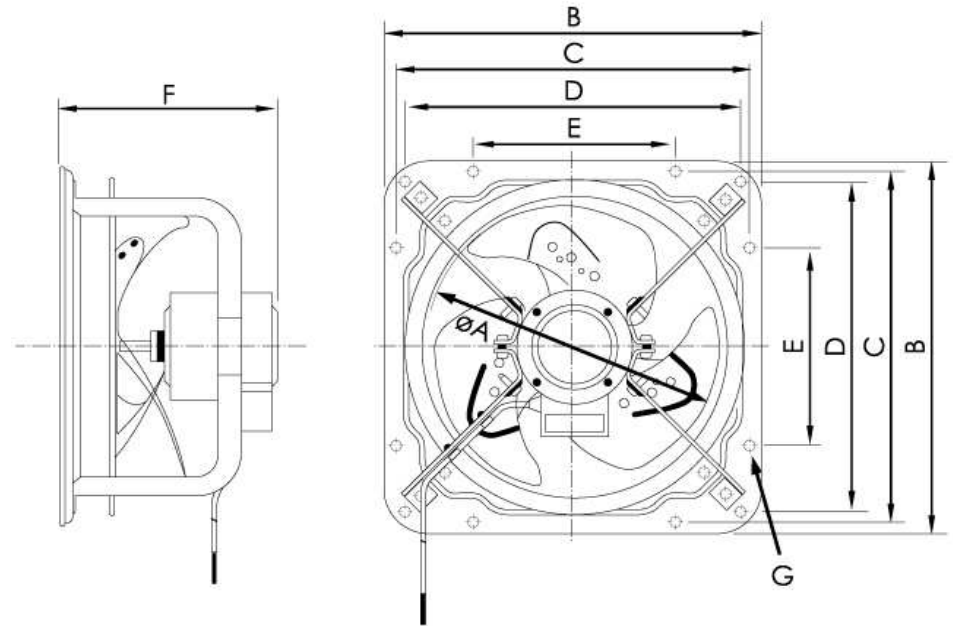
at 0mmAq. Static pressure.

- | | |
|--------------------------------|--|
| 1. Power Rating ----- | 1 Pasa AC 110-127V 50/60Hz
1 Pasa AC 220-240V 50Hz. AC 220V-230V 60Hz |
| 2. Motor Type ----- | Capacitor start and run induction motor.Class E.4 Poles |
| 3. Blade Type ----- | Propeller fan |
| 4. Ambient temperature ----- | - 10 to 50 deg.C |
| 5. Insulation Resistance ----- | More than 1 meg ohm |
| 6. Electric Strength ----- | AC 1500V 1 minute |
| 7. Weight ----- | 19.0 Kg |
| 8. Color ----- | White |

Performance Data



Dimension



FV-40GS4	A	B	C	D	E	F	G
	400	518	485	460	280	274	12