

External Dimensions

➤ Labeling Position

Mark	Item	Comment
A	AMCA LABEL	For AMCA market
B	NAME PLATE	-
C	GCC LABEL	For GCC market
D	ENERGY LABEL	For Jordan market

Component Parts List

➤ Main Parts List

Mark	Part Name	Material	Quantity
①	Frame	Metal	1
②	Motor	Metal	-
③	Motor Support	Metal	4
④	Blade	Metal	1

➤ Accessory List

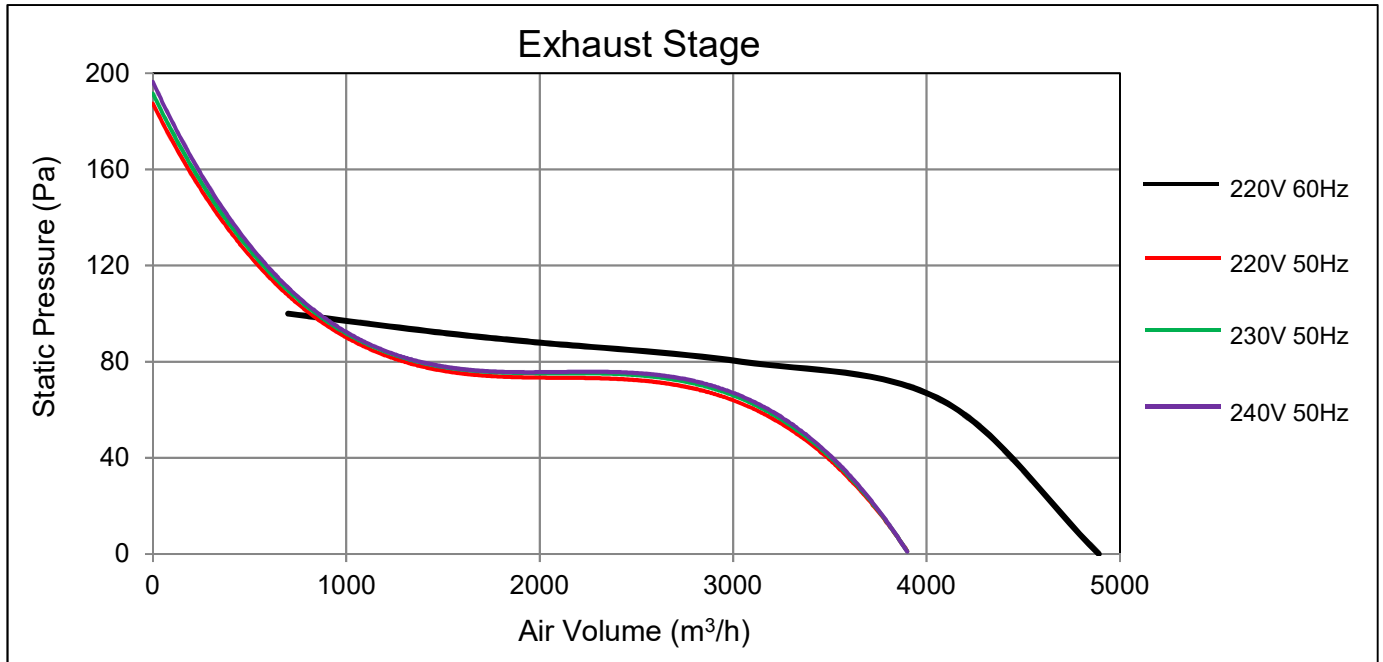
Item	Quantity	comment
Op. instruction	1	-
Assembly Inst.	1	-
Leaflet	1	For GCC market

Authentication Information

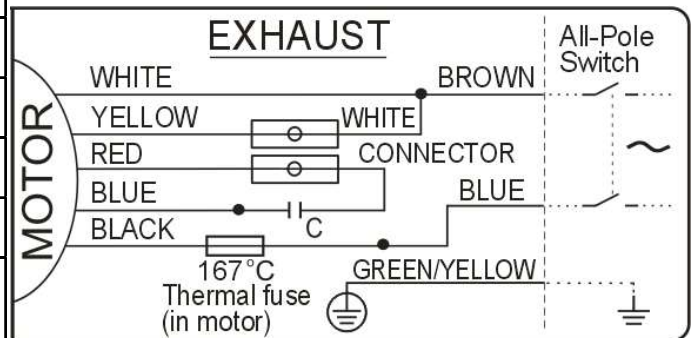
➤ 认证种类 (测试机构等) IEC(TUV)

Product		Page	1/3	
Ventilating Fan		Model		
		FV-40GS5		
Make Date	2016.12.16	Scale	Drawing No.	HPVF16004
Modification Date			Modification No.	
Panasonic Ecology Systems Guangdong Co., Ltd.				

■ Specification Data



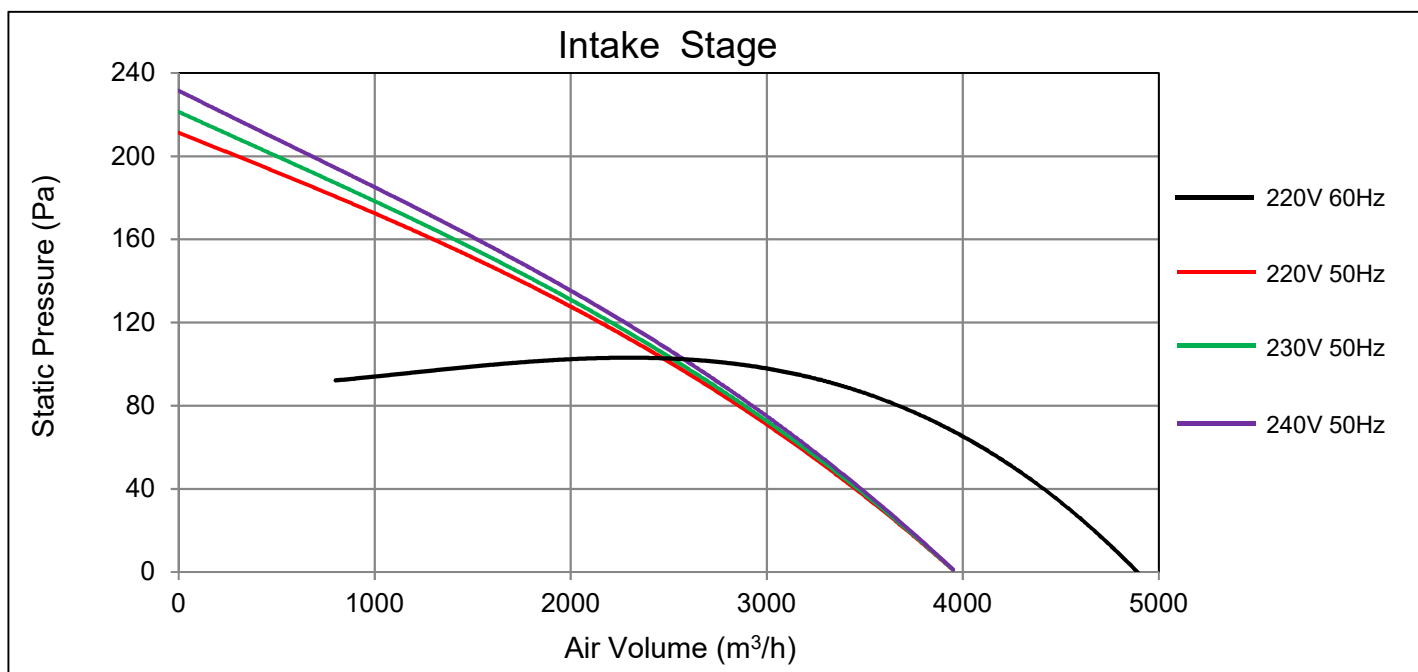
MODEL	FV-40GS5			
	Exhaust Stage			
Rated Voltage (V)	220	220	230	240
Rated Frequency (Hz)	60	50	50	50
Power Consumption (W)	270	141	146	151
Air Volume (m³/h) ±10%	4890	3900	3900	3900
Static Pressure (Pa)	100	185	190	195
Noise (dB) +3dB以下	58	54	54	54
Net Weight (Kg)	19			
Motor Type	AC Motor (Class B)			
Operating Temperature	-10°C~40°C			
Insulation Resistance	>10MΩ			
IP Code	IPX4 (Outside)			
Electric Strength	AC1500V/1 minute			
Ventilation Hole Size	445mm*445mm			



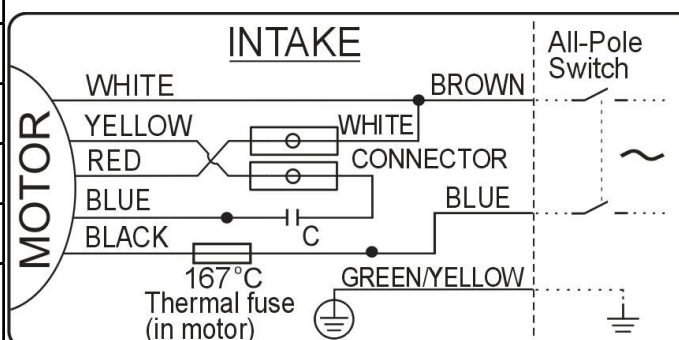
- Air volume, electric specification and noise value are measured when static pressure is 0 Pa.
- Noise value is the weighted sound pressure grade A, which is the central value measured by this company, its tolerance range is from +3 to -7. The method to measure is as follows: in an anechoic chamber, measure noise value first 1m away from the left, right and centre of the sample, then get the averaged value.
- Air volume is the central value measured by this company with ±10% of tolerance range.

Product		Page	2/3
Ventilating Fan		Model	
FV-40GS5		Make Date	2016.12.16
Scale	Drawing No.	HPVF16004	Modification No.
Panasonic Ecology Systems Guangdong Co., Ltd.			

■ Specification Data



MODEL	FV-40GS5			
	Intake Stage			
Rated Voltage (V)	220	220	230	240
Rated Frequency (Hz)	60	50	50	50
Power Consumption (W)	270	140	145	150
Air Volume (m³/h) ±10%	4900	3950	3950	3950
Static Pressure (Pa)	95	210	220	230
Noise (dB) +3dB以下	61	56	56	57
Net Weight (Kg)	19			
Motor Type	AC Motor (Class B)			
Operating Temperature	-10°C ~ 40°C			
Insulation Resistance	>10MΩ			
IP Code	IPX4 (Outside)			
Electric Strength	AC1500V/1 minute			
Ventilation Hole Size	445mm*445mm			



■ Air volume, electric specification and noise value are measured when static pressure is 0 Pa.

■ Noise value is the weighted sound pressure grade A, which is the central value measured by this company, its tolerance range is from +3 to -7. The method to measure is as follows: in an anechoic chamber, measure noise value first 1m away from the left, right and centre of the sample, then get the averaged value.

■ Air volume is the central value measured by this company with ±10% of tolerance range.

Product		Page		3/3	
Ventilating Fan		Model		FV-40GS5	
Make Date	2016.12.16	Scale	Drawing No.	HPVF16004	
Modification Date			Modification No.		
Panasonic Ecology Systems Guangdong Co., Ltd.					