

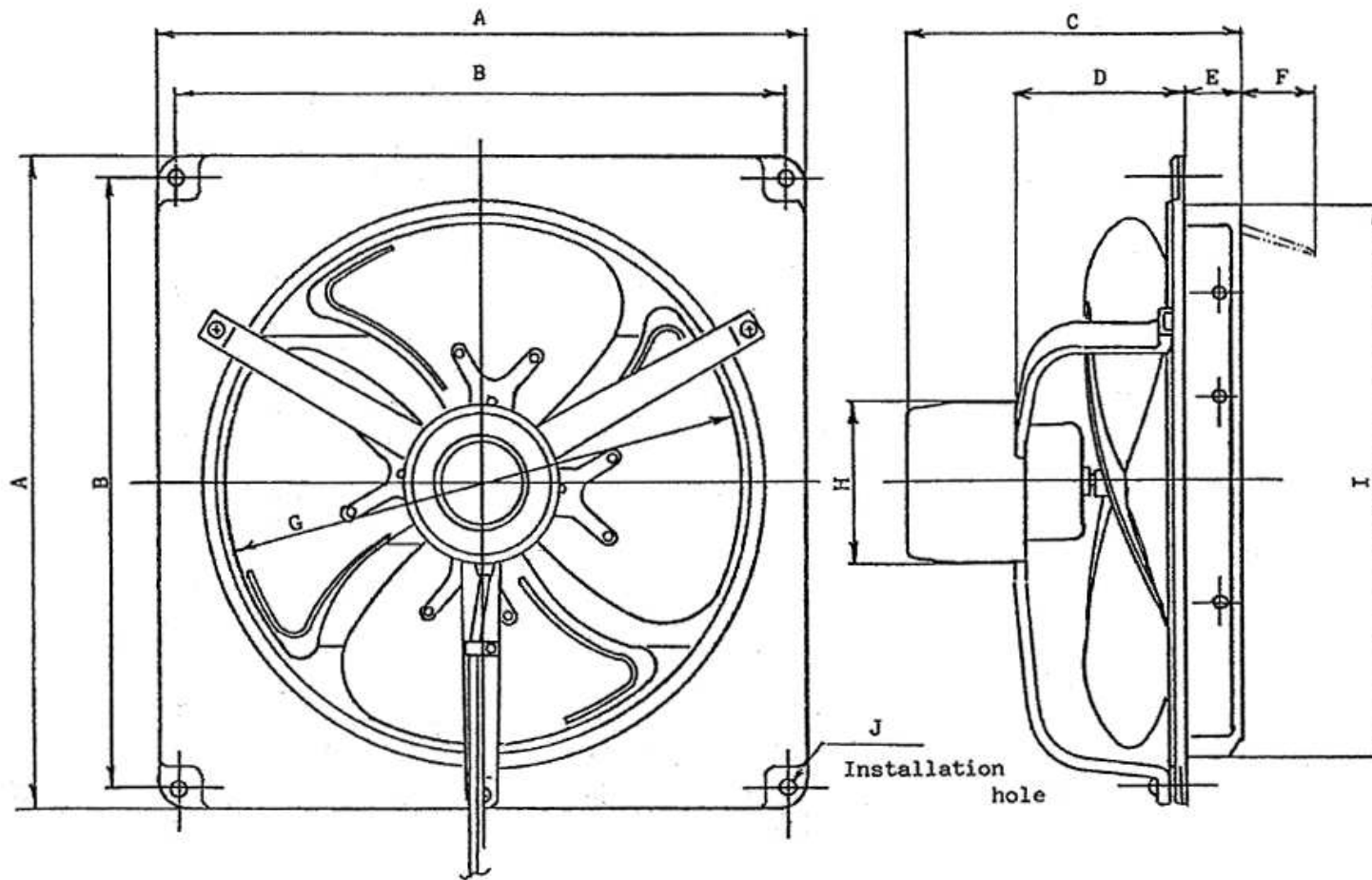
Ventilating Fan Specifications

Model FV-50AET2

		110V		127V		220V		240V	
		50Hz	60Hz	50Hz	60Hz	50Hz	60Hz	50Hz	60Hz
Air Volume	CMH ± 10%	3,500	3,840	3,600	4,170	3,800	3,500	3,480	3,960
Power Consumption	W±15%	96	116	113	136	97	120	110	130
Current	A±15%	1.12	1.24	1.23	1.24	0.54	0.61	0.57	0.59
Speed	R/M±10%	860	920	900	1,030	910	980	930	1,050
Noise	dB	54.0	55.0	55.0	58.5	54.0	58.0	55.0	58.0

at 0mmAq. Static pressure.

- | | |
|--------------------------------|--|
| 1. Power Rating ----- | 1 Pasa AC 110-127V 50/60Hz
1 Pasa AC 220-240V 50/60Hz |
| 2. Motor Type ----- | Capacitor start and run induction motor.Class E.4 |
| 3. Blade Type ----- | Propeller fan |
| 4. Ambient temperature ----- | - 10 to 40°C |
| 5. Insulation Resistance ----- | More than 1 MΩ |
| 6. Electric Strength ----- | AC 1500V 1 minute |
| 7. Weight ----- | 11.5 Kg |
| 8. Color ----- | White (9YR 8.4/0.5) |



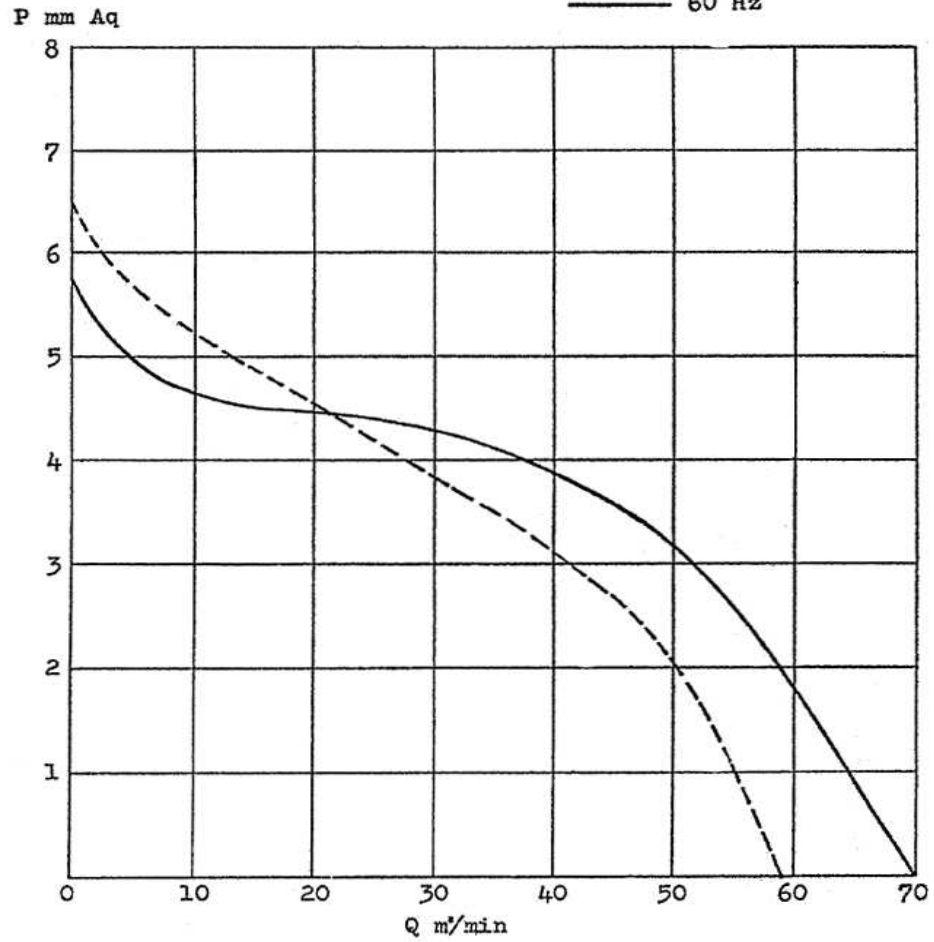
Model : FV-50AET2

Dimension : mm

A	B	C	D	E	F	G	H	I	J
650	600	331	181	48	(63)	Ø500	Ø175	526 sq.	4-Ø12

P: Static Pressure
Q: Quantity of Air Delivery

----- 50 Hz
————— 60 Hz



Model : FV-50AET2