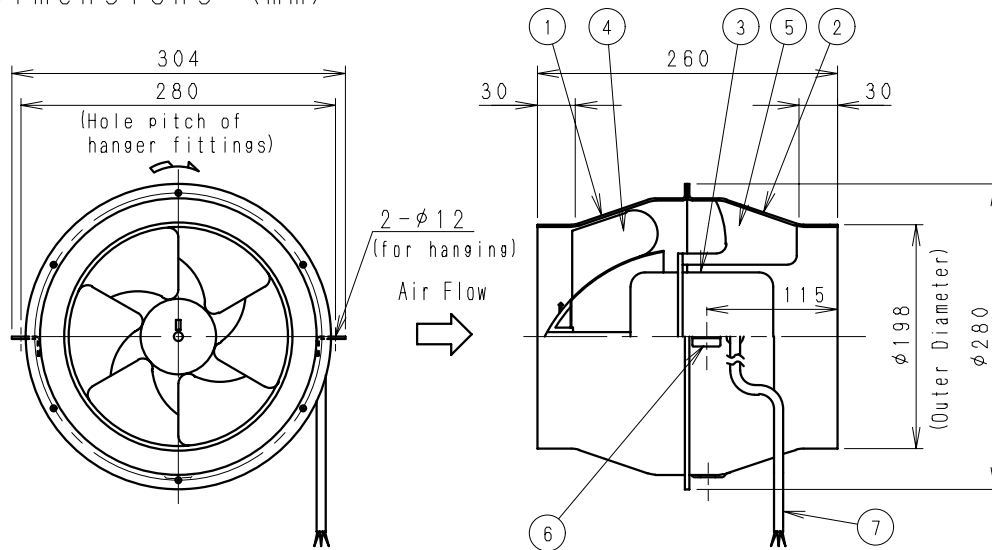
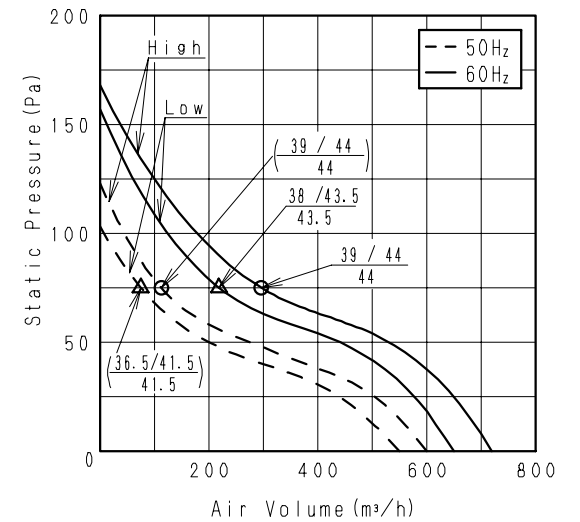


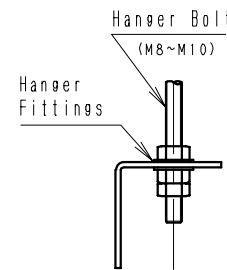
### Dimensions (mm)



### Performance Curve



Detail of hanger fittings



Sample of Ceiling Mount

· The values shown on performance curve mean the sound level (dB(A)) at each point as follows.  
 · The values in ( ) mean the one in the case of 50Hz.

Side of Fan Body / Inlet side  
 Outlet side

### Parts List

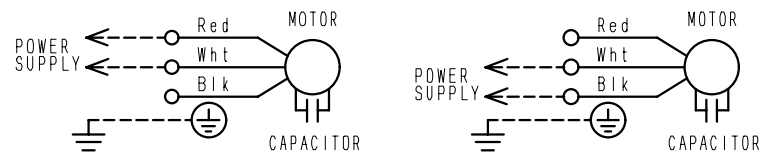
No.	Description	Q'ty	Material
1	Casing (A)	1	Steel
2	Casing (B)	1	Steel
3	Motor	1	
4	Wheel	1	Aluminum
5	Guide Vanes	4	Steel
6	Hanger Fittings	2	Steel
7	Power Supply Cord	1	Effective Length 900mm

### Wiring Diagram

Note) Broken Lines --- indicate the Lines to be wired by the customer.

High-notch

Low-notch



※ There is no connecting terminal for FY-25DSF2NET.  
 The tip of the unused cord must be insulated.

DESCRIPTION		MODEL No.	
Compact Axial Flow Fan (No. 2)		FY-25DSF2NET	
ISSUED DATE	Sep. 27, 2013	DRAWING No.	SGD-090Y
REVISION			
Panasonic Corporation			REV. No.
Panasonic Ecology Systems Co., Ltd.			0