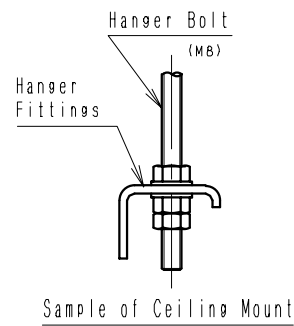
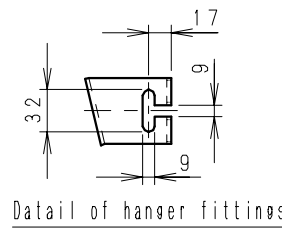
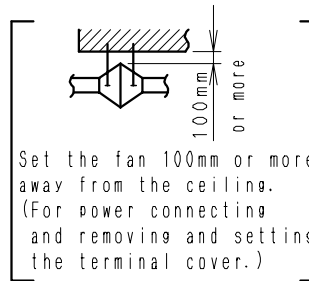
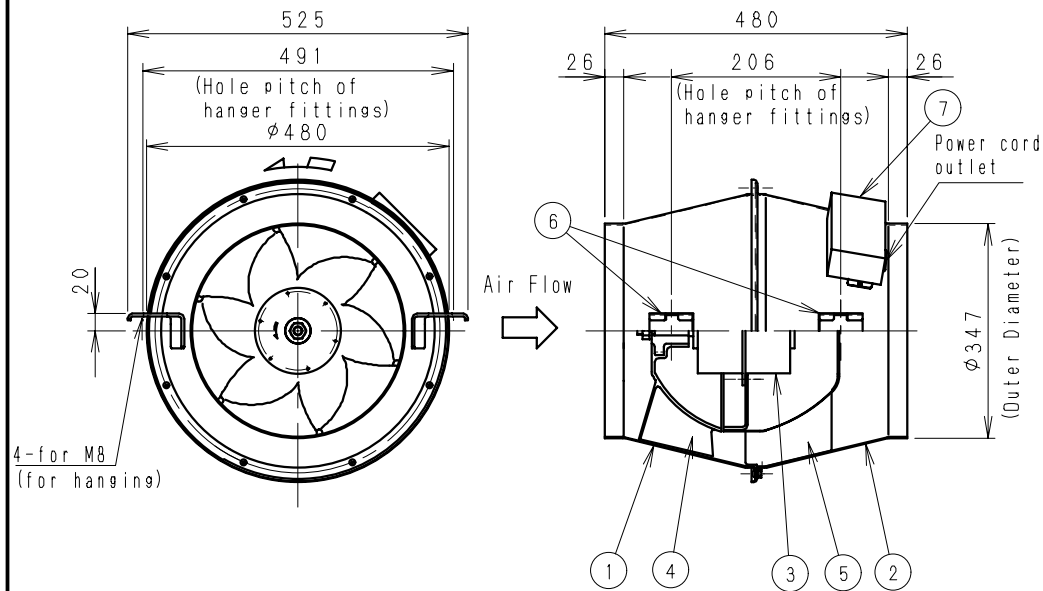
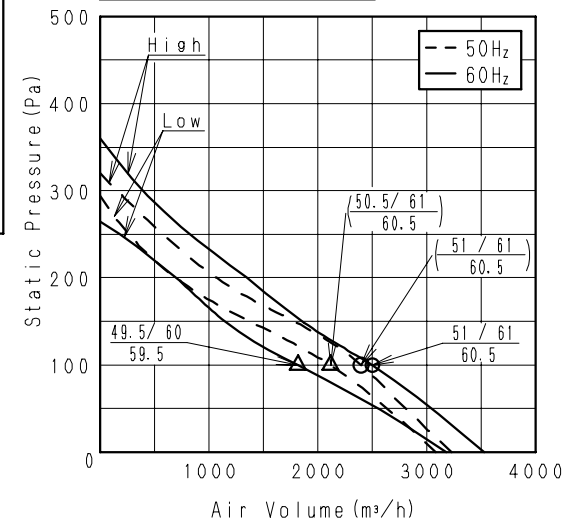


Dimensions (mm)



Performance Curve



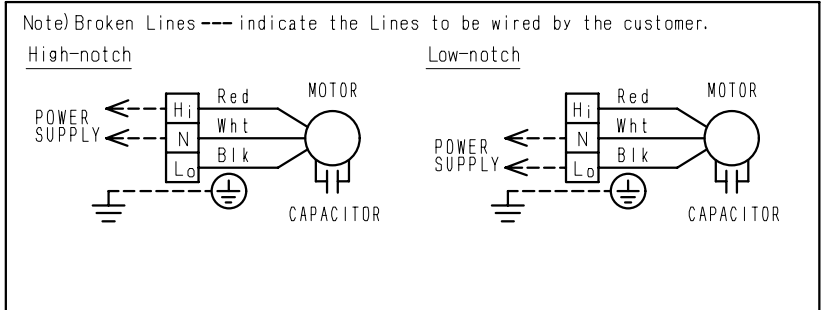
The values shown on performance curve mean the sound level (dB(A)) at each point as follows.
The values in () mean the one in the case of 50Hz.

Side of Fan Body / Inlet side
Outlet side

Parts List

No.	Description	Q'ty	Material
1	Casing (A)	1	Steel
2	Casing (B)	1	Steel
3	Motor	1	
4	Wheel	1	PP
5	Guide Vanes	7	Steel
6	Hanger Fittings	4	Steel
7	Terminal Cover	1	Steel

Wiring Diagram



DESCRIPTION		MODEL No.	
Compact Axial Flow Fan (No. 3½)		FY-40DSL2NET	
ISSUED DATE	Sep. 27, 2013	DRAWING No.	SGD-094Y
REVISION			
Panasonic Corporation			REV.No.
Panasonic Ecology Systems Co., Ltd.			0