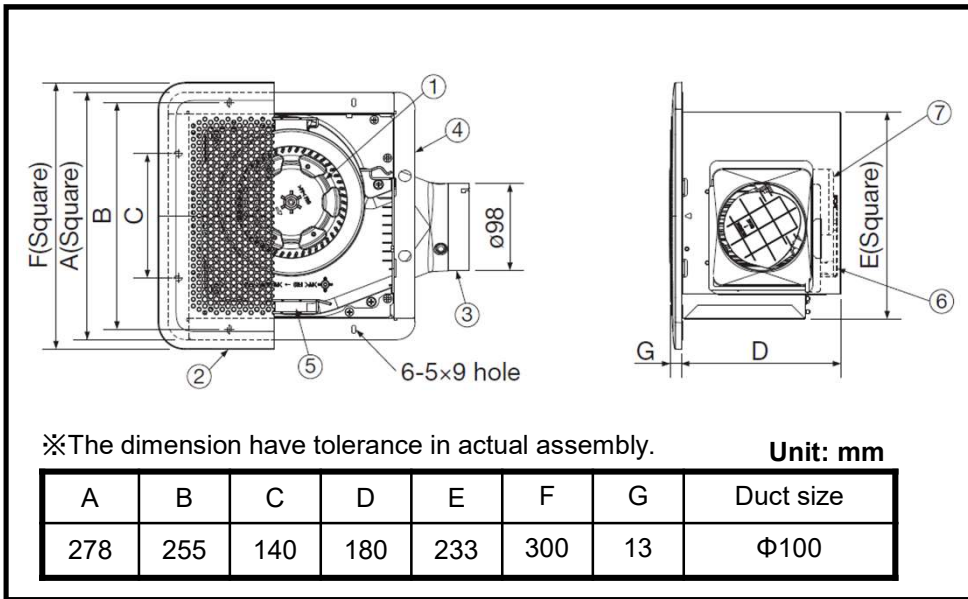


■ Main Dimensions



■ Main Part List

No.	Part Name	Material
①	Blade	PP
②	Louver	PP
③	Adaptor assembly	Galvanized steel
④	Fan body	ZAM
⑤	Casing	PP
⑥	Condenser box	PP V-0
⑦	Motor	--

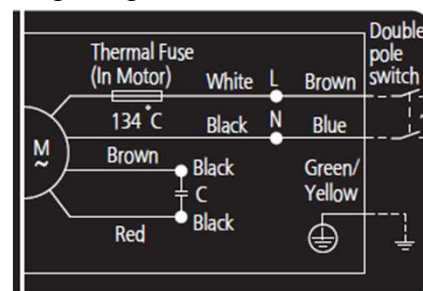
■ Specification

Rated Voltage	220V~ 50Hz	230~ 50Hz	240V~ 50Hz	230V~ 60Hz
Air Volume (m ³ /h ± 10%)	140	150	160	150
Power (W ± 12%)	10.5	11.0	12.0	13.5
Max Static Pressure (Pa)	100	100	100	130
Noise (dB (A) ⁺³ ₋₇)	25	26	27	26.5
Net Weight (kg)	2.7	2.7	2.7	2.7
Motor Type	Capacitor Motor (Class E)	Capacitor Motor (Class E)	Capacitor Motor (Class E)	Capacitor Motor (Class E)
Insulation Resistance	More than 10MΩ	More than 10MΩ	More than 10MΩ	More than 10MΩ
Electric Strength	Can withstand 1500V 1min	Can withstand 1500V 1min	Can withstand 1500V 1min	Can withstand 1500V 1min
Ambient Temperature	-10° C ~ 40° C	-10° C ~ 40° C	-10° C ~ 40° C	-10° C ~ 40° C
IP Code	IPX2	IPX2	IPX2	IPX2

Notes:

1. The value of power consumption, air volume and noise are specified at the static pressure of 0 Pa.
2. The value of air volume is the mean value which is measured by our company.
3. The value of noise level is measured at 1m apart from the left, the right and the directly below of product, then get the average of three values.
4. The value of noise level is A weight average sound pressure level, the mean value is measured by our company.

■ Wiring Diagram



Revision	Content	Product		Model	
		Ceiling Mount Ventilating Fan		FV-24CU8	
Make Date	2019.06.19	Scale	Drawing No.	VF19002	
Modification Date		Free	Modification No.		
Panasonic Ecology Systems(Thailand) Co., Ltd.					